



Powering Business Worldwide

# Current and voltage transformers

2023.Ver04



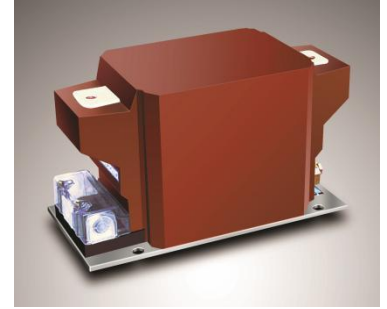
Eaton Electrical Equipment Co.,Ltd.

## CATALOGUE

ECP-7. 2A1G CURRENT TRANSFORMER .....	1
ECB-17. 5b CURRENT TRANSFORMER .....	2
ECB-17. 5X/220 CURRENT TRANSFORMER .....	3
ECP-17. 5A1D CURRENT TRANSFORMER .....	4
ECP-17. 5A2D CURRENT TRANSFORMER .....	6
ECP-17. 5A4GW CURRENT TRANSFORMER .....	8
ECP-17. 5A5GW CURRENT TRANSFORMER .....	10
ECP-17. 5A6GW CURRENT TRANSFORMER .....	11
ECP-17. 5A7GW CURRENT TRANSFORMER .....	13
ECP-17. 5A8GW CURRENT TRANSFORMER .....	14
ECP-17. 5C2G3 CURRENT TRANSFORMER .....	15
ECP-17. 5C3 CURRENT TRANSFORMER .....	17
ECP-17. 5K1 CURRENT TRANSFORMER .....	19
ECP-17. 5K2 CURRENT TRANSFORMER .....	21
ECP-17. 5/150b/4BF2 CURRENT TRANSFORMER .....	23
ECP-17. 5/175b/2 CURRENT TRANSFORMER .....	24
ECP-17. 5/220b/4 CURRENT TRANSFORMER .....	26
ECP-24/185b (h) /2 CURRENT TRANSFORMER .....	27
ECZ-0. 5/155*310 CURRENT TRANSFORMER .....	29
ECZ-0. 5/300*500 CURRENT TRANSFORMER .....	30
ECZ-0. 5/450*650 CURRENT TRANSFORMER .....	31
ECZ-LXK SERIES CURRENT TRANSFORMER .....	32
ECZ-LXZ2 SERIES CURRENT TRANSFORMER .....	34
ECZ-LXZK2 SERIES CURRENT TRANSFORMER .....	35
EVF-3. 6, 7, 2, 12, 17. 5RG1 VOLTAGE TRANSFORMER .....	36
EVF-3. 6, 7, 2, 12, 17. 5RG2 VOLTAGE TRANSFORMER .....	37
EVF-3. 6, 7, 2, 12, 17. 5RG2M VOLTAGE TRANSFORMER .....	38
EVP-3. 6, 7, 2, 12, 17. 5G1 VOLTAGE TRANSFORMER .....	39
EVP-12, 17. 5C1 VOLTAGE TRANSFORMER .....	40
EVP-3. 6, 7, 2, 12, 17. 5 VOLTAGE TRANSFORMER .....	41
EVF-3. 6, 7, 2, 12R VOLTAGE TRANSFORMER .....	42
EVF-3. 6, 7, 2, 12R2 VOLTAGE TRANSFORMER .....	43
EVF-3. 6, 7, 2, 12, 17. 5C VOLTAGE TRANSFORMER .....	44
EVF-3. 6, 7, 2, 12, 17. 5C2 VOLTAGE TRANSFORMER .....	45
EVF-24-15, 20R VOLTAGE TRANSFORMER .....	46
EVF-24-15, 20R4 VOLTAGE TRANSFORMER .....	47
EVF-24-15, 20R6 VOLTAGE TRANSFORMER .....	48
EVF-S-3. 6, 7, 2, 12, 17. 5C1 VOLTAGE TRANSFORMER .....	49
EVF-S-3. 6, 7, 2, 12, 17. 5C2 VOLTAGE TRANSFORMER .....	50
EVF-S-3. 6, 7, 2, 12, 17. 5C3 VOLTAGE TRANSFORMER .....	51

# ECP-7. 2A1G

## CURRENT TRANSFORMER



### Standards

IEC 61869-1 Instrument transformers - Part 1: General requirements

IEC 61869-2 Instrument transformers - Part 2: Additional requirements for current transformers

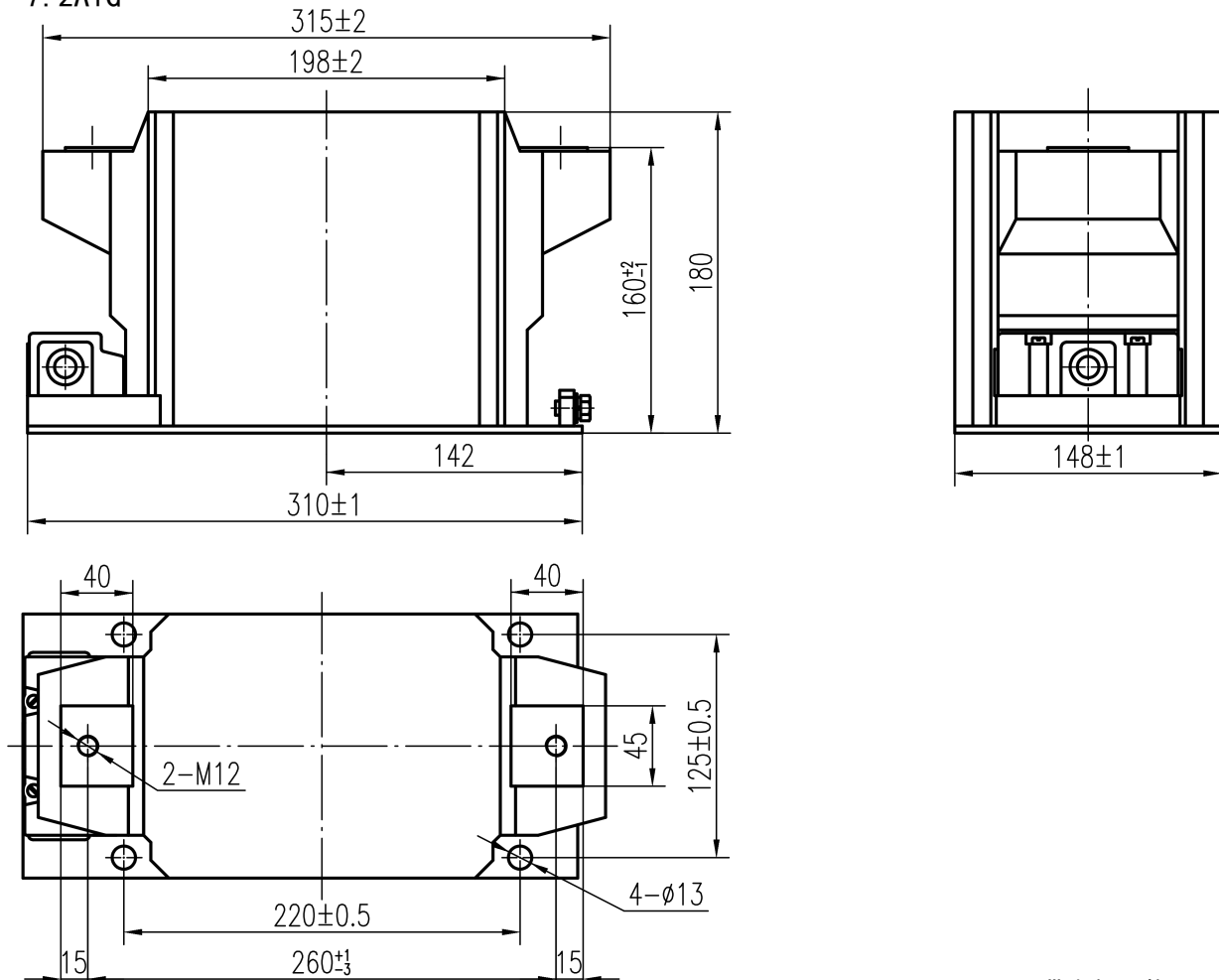
### Technical Data

Rated secondary current: 5A, 1A

Type	Rated primary current(A)	Accuracy classes combination	Rated output (VA)	Rated short-time thermal current (kA/s)	Rated dynamic current (kA)	Rated insulation level(kV)
ECP-7.2A1G	50-600	0.5/5P10	10/10	$150I_{In}$	$375I_{In}$	7.2/20/60

### Outline Drawing

ECP-7. 2A1G



Weight: About 18 kg

# ECB-17.5b

## CURRENT TRANSFORMER

### Standards

IEC 61869-1 Instrument transformers - Part 1: General requirements

IEC 61869-2 Instrument transformers - Part 2: Additional requirements for current transformers

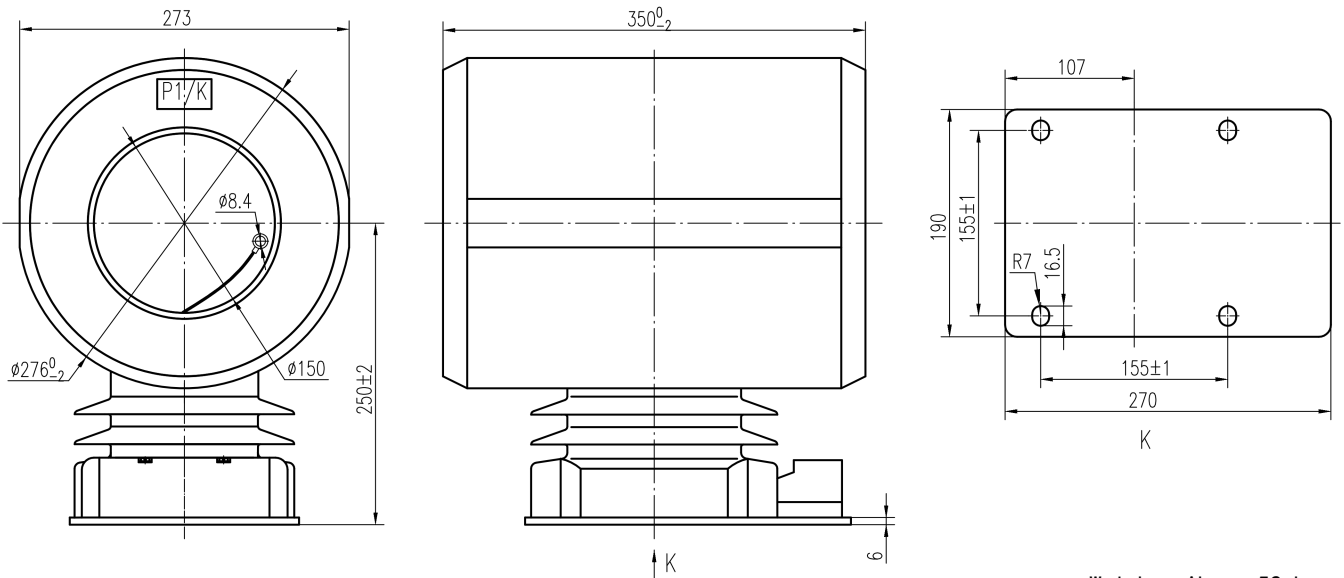
### Technical Data

Type	Rated primary current(A)	Rated secondary current(A)	Accuracy classes combination	Accuracy class and rated output (VA)		
				0.2	0.5	5P15
ECB-17.5b	1000	5 (1)	0.2/0.2 0.5/0.5 0.2/5P15 0.5/5P15 5P15/5P15	30	30	30
	1500					
	2000					
	3000					
	4000					
	1000	5 (1)	0.2/0.5/5P15 0.2/5P15/5P15	30	30	30
	1500					
	2000					
	3000					
	1000	5 (1)	0.2/0.5/5P15/5P15 0.2/5P15/5P15/5P15	20	20	15
	1500					
	2000					
3000	30			30	20	
4000						

CURRENT TRANSFORMER

### Outline Drawing

ECB-17.5b



Weight: About 52 kg

# ECB-17.5X/220

## CURRENT TRANSFORMER



### Standards

IEC 61869-1 Instrument transformers - Part 1: General requirements

IEC 61869-2 Instrument transformers - Part 2: Additional requirements for current transformers

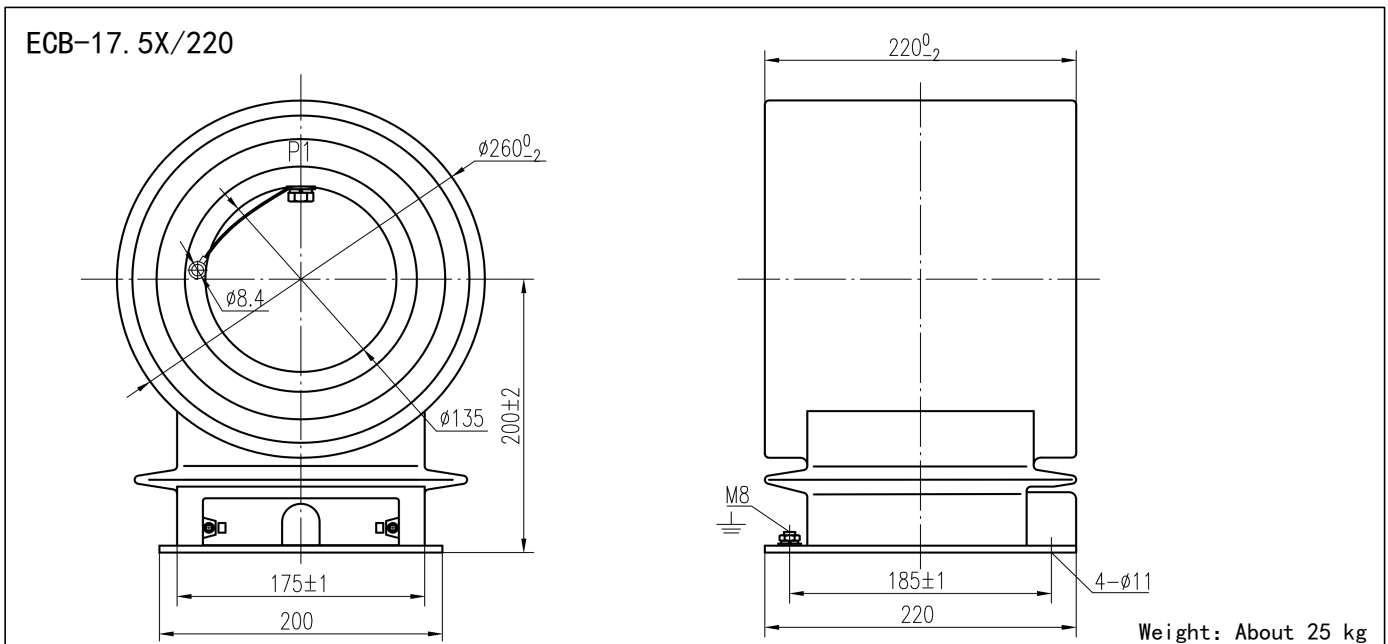
### Technical Data

Type	Rated primary current(A)	Rated secondary current(A)	Accuracy classes combination	Accuracy class and rated output (VA)		
				0.2	0.5	5P15
ECB-17.5X/220	1000	5 (1)	0.2/0.2 0.5/0.5 0.2/5P15 0.5/5P15 5P15/5P15	30	30	30(20)
	1500	5 (1)		30	30	30
	2000	5 (1)				
	3000	5				
	4000	5				

Note: Value in bracker is relative rated output at 5P15/5P15

Type	Rated primary current(A)	Rated secondary current(A)	Accuracy classes combination	Accuracy class and rated output (VA)		
				0.2	0.5	5P10
ECB-17.5X/220	1000	5 (1)	0.2/0.5/5P10 0.5/5P15/5P10	20	20	15
	1500	5 (1)		20	20	15
	2000	5 (1)		20	20	15
	3000	5		20	20	20
	4000	5		30	30	30

### Outline Drawing



# ECP-17.5A1D

## CURRENT TRANSFORMER



### Standards

IEC 61869-1 Instrument transformers – Part 1: General requirements

IEC 61869-2 Instrument transformers – Part 2: Additional requirements for current transformers

### Technical Data

Rated secondary current: 5A, 1A

Type	Rated primary current(A)	Accuracy classes combination	Rated output (VA)	Rated short-time thermal current (kA/s)	Rated dynamic current (kA)	Rated insulation level(kV)
ECP-17.5A1D	5	0.2/10P10 0.5/10P10	10/15 10/15	0.5	1.25	17.5/38/95
	10	0.2/10P10 0.5/10P10	10/15 10/15	1.0	2.5	
	15	0.2/10P10 0.5/10P10	10/15 10/15	1.5	3.75	
	20	0.2/10P10 0.5/10P10	10/15 10/15	2.0	5.0	
	30	0.2/10P10 0.5/10P10	10/15 10/15	4.5	11.25	
	40	0.2/10P10 0.5/10P10	10/15 10/15	6.0	15	
	50	0.2/10P10 0.5/10P10	10/15 10/15	7.5	18.75	
	60	0.2/10P10 0.5/10P10	10/15 10/15	9.0	22.5	
	75	0.2/10P10 0.5/10P10	10/15 10/15	10	25	
	100	0.2/10P10 0.5/10P10	10/15 10/15	21	52.5	
	150 200 250	0.2/10P10 0.5/10P10	10/15 10/15	31.5	80	
	300	0.2/10P10 0.5/10P10	10/15 10/15	45	112.5	
	400	0.2/10P10 0.5/10P10	10/15 10/15	63	130	
	500 600	0.2/10P10 0.5/10P10 0.2/10P15 0.5/10P15	10/15 10/15 10/15 15/15			
	800	0.2/10P10 0.5/10P10	10/15 10/15	80	160	
			15/15 20/15			
1000	0.2/10P10 0.5/10P10 0.2/10P15 0.5/10P15	10/15 10/15 15/15 20/15				

CURRENT TRANSFORMER

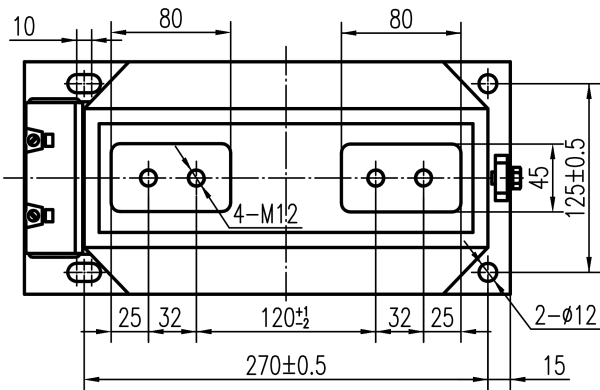
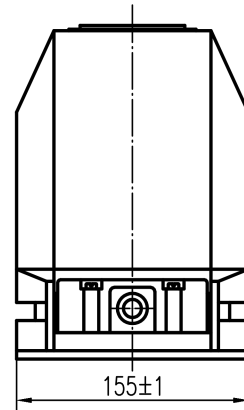
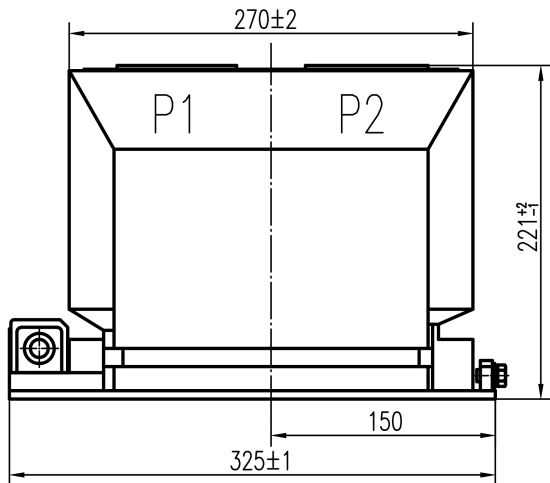
Rated secondary current: 5A, 1A

Type	Rated primary current(A)	Accuracy classes combination	Rated output (VA)	Rated short-time thermal current (kA/s)	Rated dynamic current (kA)	Rated insulation level(kV)
ECP-17.5A1D	1200	0.2/10P10	10/15	80	160	17.5/38/95
		0.5/10P10	10/15			
		0.2/10P15	15/15			
		0.5/10P15	20/15			
	1500	0.2/10P10	10/15	100	160	
		0.5/10P10	10/15			
		0.2/10P15	15/15			
	2000	0.5/10P15	30/15	100	160	
		0.2/10P10	10/15			
2500	0.5/10P10	10/15	100	160		
		0.2/10P15	15/15			
		0.5/10P15	30/15			

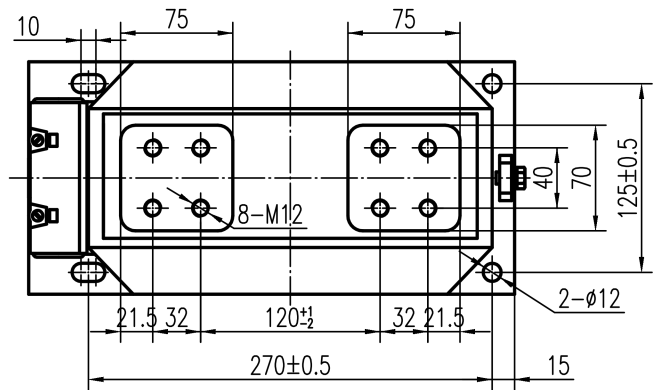
Notes: For any other special requirement, you can contact us!

Outline Drawing

ECP-17.5A1D



5-1250A



1200-2500A

Weight: About 24 kg

# ECP-17.5A2D

## CURRENT TRANSFORMER



### Standards

IEC 61869-1 Instrument transformers – Part 1: General requirements

IEC 61869-2 Instrument transformers – Part 2: Additional requirements for current transformers

### Technical Data

Rated secondary current: 5A, 1A

CURRENT TRANSFORMER

Type	Rated primary current(A)	Accuracy classes combination	Rated output (VA)	Rated short-time thermal current (kA/s)	Rated dynamic current (kA)	Rated insulation level(kV)
ECP-17.5A2D	5	0.2/10P10 0.5/10P10	10/20 10/20	0.5	1.25	17.5/38/95
	10	0.2/10P10 0.5/10P10	10/20 10/20	1.0	2.5	
	15	0.2/10P10 0.5/10P10	10/20 10/20	1.5	3.75	
	20	0.2/10P10 0.5/10P10	10/20 10/20	2.0	5.0	
	30	0.2/10P10 0.5/10P10	10/20 10/20	4.5	11.25	
	40	0.2/10P10 0.5/10P10	10/20 10/20	6.0	15	
	50	0.2/10P10 0.5/10P10	10/20 10/20	7.5	18.75	
	60	0.2/10P10 0.5/10P10	10/20 10/20	9.0	22.5	
	75	0.2/10P10 0.5/10P10	10/20 10/20	10	25	
	100	0.2/10P10 0.5/10P10	10/20 10/20	21	52.5	
	150 200 250	0.2/10P10 0.5/10P10	10/20 10/20	31.5	80	
	300	0.2/10P10 0.5/10P10	10/30 20/30	45	112.5	
	400	0.2/10P10 0.5/10P10	10/30 30/30	63	130	
	500	0.2/10P10 0.5/10P10 0.2/10P15 0.5/10P15	10/30 20/30 10/20 20/20			
	600	0.2/10P10 0.5/10P10 0.2/10P15 0.5/10P15	10/30 20/30 10/20 20/20	80	160	
	800	0.2/10P10 0.5/10P10	15/30 30/30			
1000	0.2/10P15 0.5/10P15	15/20 30/20				

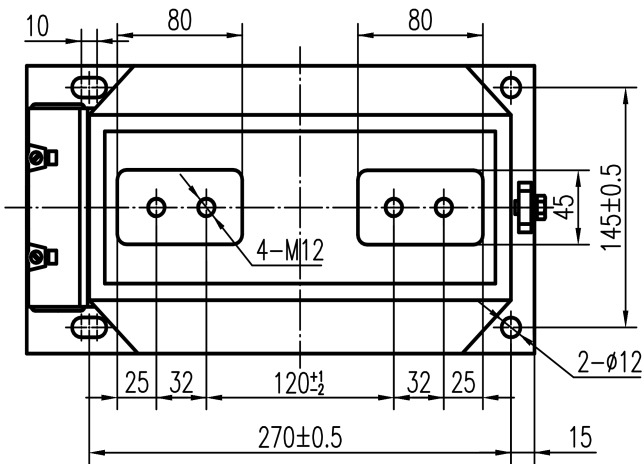
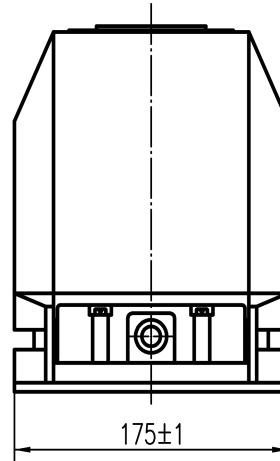
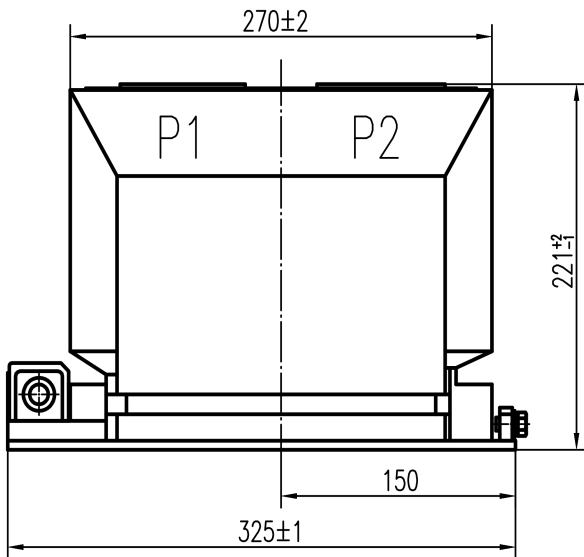
Rated secondary current: 5A, 1A

Type	Rated primary current(A)	Accuracy classes combination	Rated output (VA)	Rated short-time thermal current (kA/s)	Rated dynamic current (kA)	Rated insulation level(kV)
ECP-17.5A2D	1200	0.2/10P10	15/30	100	160	17.5/38/95
	1250	0.5/10P10	30/30			
		0.2/10P15	15/20			
		0.5/10P15	30/20			
	1500	0.2/10P10	30/30			
	2000	0.5/10P10	60/30			
	2500	0.2/10P15	30/30			
		0.5/10P15	60/30			

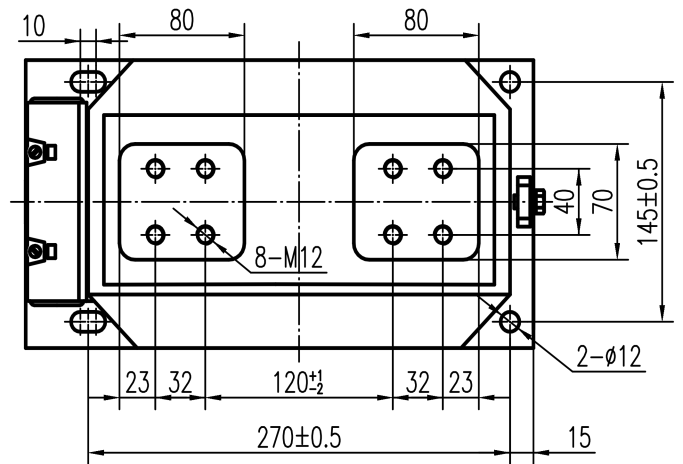
Notes: For any other special requirement, you can contact us!

**Outline Drawing**

ECP-17.5A2D



5-1250A



1200-2500A

Weight: About 28 kg

CURRENT TRANSFORMER

# ECP-17.5A4GW

## CURRENT TRANSFORMER



### Standards

IEC 61869-1 Instrument transformers - Part 1: General requirements

IEC 61869-2 Instrument transformers - Part 2: Additional requirements for current transformers

### Technical Data

Rated secondary current: 5A, 1A

CURRENT TRANSFORMER

Type	Rated primary current(A)	Accuracy classes combination	Rated output (VA)	Rated short-time thermal current (kA/s)	Rated dynamic current (kA)	Rated insulation level(kV)
ECP-17.5A4GW	5	0.2/10P10	10/20	0.5	1.25	17.5/38/95
		0.5/10P10	10/20			
	10	0.2/10P10	10/20	1.0	2.5	
		0.5/10P10	10/20			
	15	0.2/10P10	10/20	1.5	3.75	
		0.5/10P10	10/20			
	20	0.2/10P10	10/20	2.0	5.0	
		0.5/10P10	10/20			
	30	0.2/10P10	10/20	3.0	7.5	
		0.5/10P10	10/20			
	40	0.2/10P10	10/20	4.5	11.25	
		0.5/10P10	10/20			
	50	0.2/10P10	10/20	5.0	12.5	
		0.5/10P10	10/20			
	60	0.2/10P10	10/20	6.0	15	
		0.5/10P10	10/20			
	75	0.2/10P10	10/20	7.5	18.75	
		0.5/10P10	10/20			
	100	0.2/10P10	10/20	10	25	
		0.5/10P10	10/20			
150	0.2/10P10	10/20	15	37.5		
	0.5/10P10	10/20				
200	0.2/10P10	10/20	21	52.5		
	0.5/10P10	10/20				
250	0.2/10P10	10/20	31.5	80		
	0.5/10P10	10/20				
300	0.2/10P10	10/20	45	112.5		
	0.5/10P10	20/20				
500	0.2/10P10	10/20	45-63	112.5-130		
	0.5/10P10	20/20				
600	0.2/10P15	10/15	45	112.5		
	0.5/10P15	15/15				
600	0.2/10P10	10/20	63-80	130-160		
	0.5/10P10	20/20				
600	0.2/10P15	10/15	63	130		
	0.5/10P15	15/15				

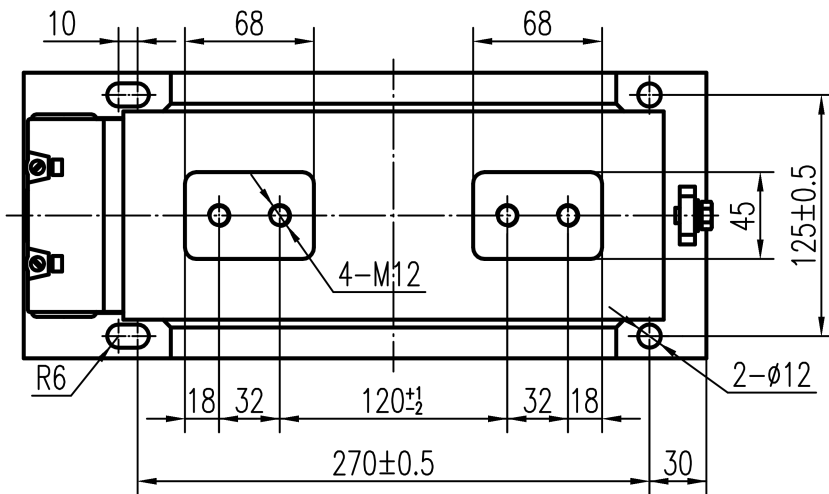
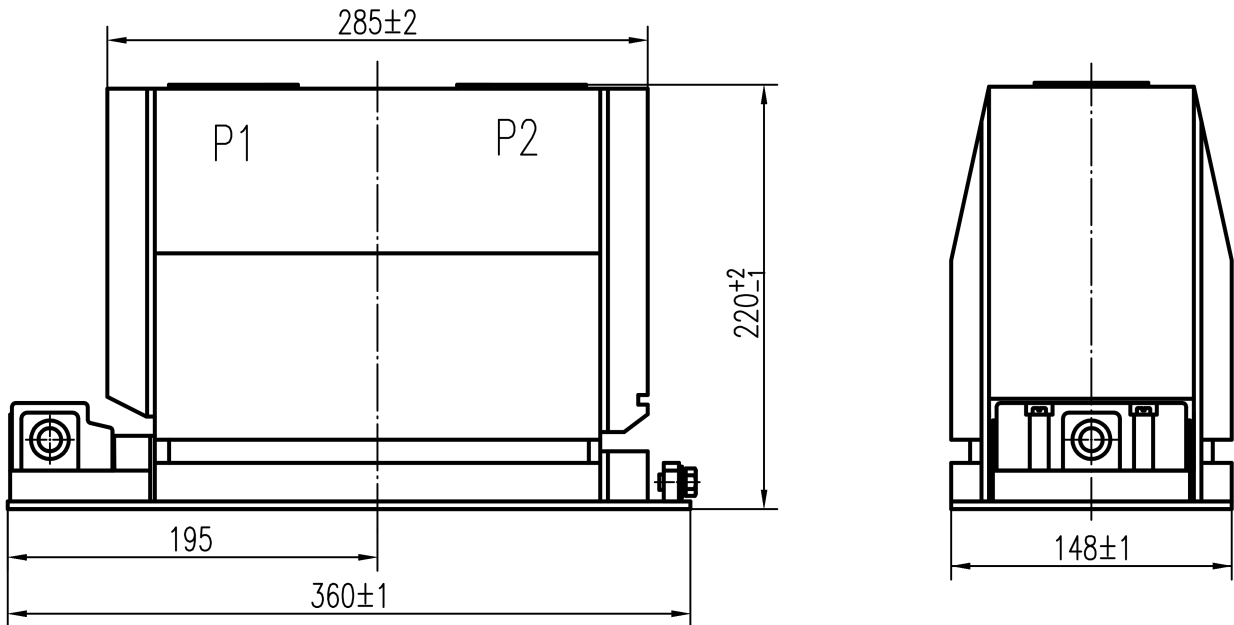
Rated secondary current: 5A, 1A

Type	Rated primary current(A)	Accuracy classes combination	Rated output (VA)	Rated short-time thermal current (kA/s)	Rated dynamic current (kA)	Rated insulation level(kV)
ECP-17.5A4GW	800 1000	0.2/10P10 0.5/10P10	15/20 30/20	80	160	17.5/38/95
	1200 1250	0.2/10P15 0.5/10P15	15/15 30/15	100		

Notes: For any other special requirement, you can contact us!

**Outline Drawing**

ECP-17.5A4GW



Weight: About 24 kg

CURRENT TRANSFORMER

# ECP-17. 5A5GW

## CURRENT TRANSFORMER



### Standards

IEC 61869-1 Instrument transformers - Part 1: General requirements

IEC 61869-2 Instrument transformers - Part 2: Additional requirements for current transformers

### Technical Data

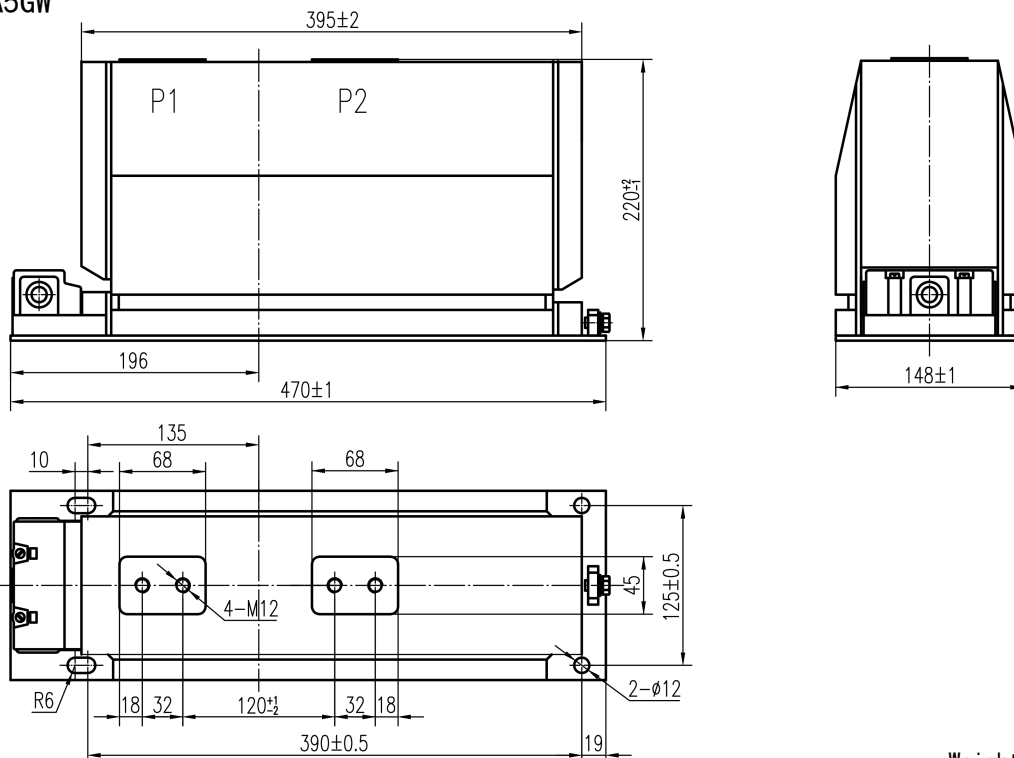
Rated secondary current: 5A, 1A

Type	Rated primary current(A)	Accuracy classes combination	Rated output (VA)	Rated short-time thermal current (kA/s)	Rated dynamic current (kA)	Rated insulation level(kV)
ECP-17.5A5GW	20, 30 40, 50 75, 100	0.2/0.2/5P10 0.2/0.5/5P15 0.2/0.5/5P20	10/10/30 10/20/20 10/10/15	150I <sub>ln</sub>	375I <sub>ln</sub>	17.5/38/95
	150 200	0.2/5P10/10P15 0.5/5P10/10P20	10/10/15 10/10/10	15	37.5	
	300 400	0.2/0.2/5P10 0.2/0.5/5P15	10/10/30 10/15/20	31.5	80	
	500	0.2/0.5/5P20 0.2/5P10/10P15 0.5/5P10/10P20	10/15/15 10/15/20	63	130	
			15/15/15			
	600 800	0.2/0.2/5P10 0.2/0.5/5P15 0.2/0.5/5P20 0.2/5P10/10P15 0.5/5P10/10P20	15/15/30 15/20/20 15/20/15 15/15/20 20/15/15	80	160	
			10/10/30 10/15/20 10/15/15 10/15/20 15/15/15			
	1000 1200 1250	0.2/0.2/5P10 0.2/0.5/5P15 0.2/0.5/5P20 0.2/5P10/10P15 0.5/5P10/10P20	10/10/30 10/15/20 10/15/15 10/15/20 15/15/15			

CURRENT TRANSFORMER

### Outline Drawing

ECP-17. 5A5GW



Weight: About 34 kg

# ECP-17.5A6GW

## CURRENT TRANSFORMER



### Standards

IEC 61869-1 Instrument transformers – Part 1: General requirements

IEC 61869-2 Instrument transformers – Part 2: Additional requirements for current transformers

### Technical Data

Rated secondary current: 5A, 1A

Type	Rated primary current(A)	Accuracy classes combination	Rated output (VA)	Rated short-time thermal current (kA/s)	Rated dynamic current (kA)	Rated insulation level(kV)
ECP-17.5A6GW	5	0.2/0.2/10P10 0.2/0.5/10P10	10/10/10 10/10/10	0.5	1.25	17.5/38/95
	10	0.2/0.2/10P10 0.2/0.5/10P10	10/10/10 10/10/10	1	2.5	
	15	0.2/0.2/10P10 0.2/0.5/10P10	10/10/15 10/10/15	1.5	3.75	
	20	0.2/0.2/10P10 0.2/0.5/10P10	10/10/15 10/10/15	2.0	5.0	
	30	0.2/0.2/10P10 0.2/0.5/10P10	10/10/15 10/10/15	3.0	7.5	
	40	0.2/0.2/10P10 0.2/0.5/10P10	10/10/15 10/10/15	4.5	11.25	
	50	0.2/0.2/10P10 0.2/0.5/10P10	10/10/15 10/10/15	5.0	12.5	
	60	0.2/0.2/10P10 0.2/0.5/10P10	10/10/15 10/10/15	6.0	15	
	75	0.2/0.2/10P10 0.2/0.5/10P10	10/10/15 10/10/15	7.5	18.75	
	100	0.2/0.2/10P10 0.2/0.5/10P10	10/10/15 10/10/15	10	25	
	150	0.2/0.2/10P10 0.2/0.5/10P10	10/10/15 10/10/15	15	37.5	
	200	0.2/0.2/10P10 0.2/0.5/10P10	10/10/15 10/10/15	21	52.5	
	250	0.2/0.2/10P10	10/10/15	31.5	80	
	300	0.2/0.5/10P10	10/10/15			
	400	0.2/0.2/10P10 0.2/0.5/10P10	10/10/15 10/10/15	45	112.5	
	500	0.2/0.2/10P10 0.2/0.5/10P10	10/10/15 10/10/15	45-63	112.5-130	
0.2/0.2/10P15 0.2/0.5/10P15		10/10/10 10/10/10	45	112.5		

CURRENT TRANSFORMER

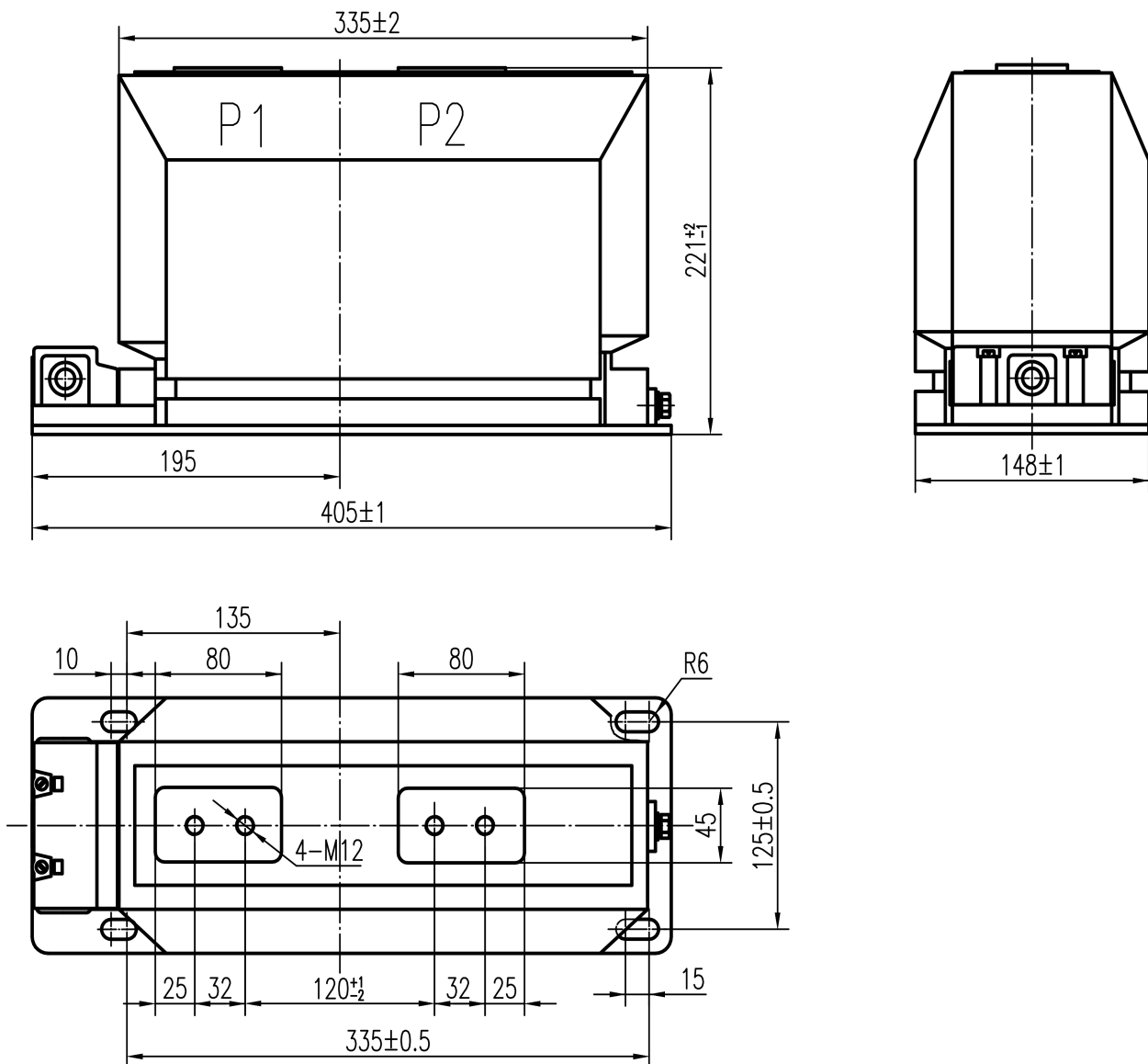
Rated secondary current: 5A, 1A

Type	Rated primary current(A)	Accuracy classes combination	Rated output (VA)	Rated short-time thermal current (kA/s)	Rated dynamic current (kA)	Rated insulation level(kV)
ECP-17.5A6GW	600	0.2/0.2/10P10	10/15/15	63-80	130-160	17.5/38/95
		0.2/0.5/10P10	10/15/15			
		0.2/0.2/10P15	10/10/15	63	130	
		0.2/0.5/10P15	10/10/15			
	800 1000	0.2/0.2/10P10	10/15/15	80	160	
		0.2/0.5/10P10	10/15/15			
		0.2/0.2/10P15	10/10/15			
		0.2/0.5/10P15	10/10/15			
	1200 1250	0.2/0.2/10P10	10/15/15	100	160	
		0.2/0.5/10P10	10/15/15			
		0.2/0.2/10P15	10/10/15			
		0.2/0.5/10P15	10/10/15			

Notes: For any other special requirement, you can contact us!

Outline Drawing

ECP-17. 5A6GW



Weight: About 28 kg

# ECP-17. 5A7GW

## CURRENT TRANSFORMER



### Standards

IEC 61869-1 Instrument transformers - Part 1: General requirements

IEC 61869-2 Instrument transformers - Part 2: Additional requirements for current transformers

### Technical Data

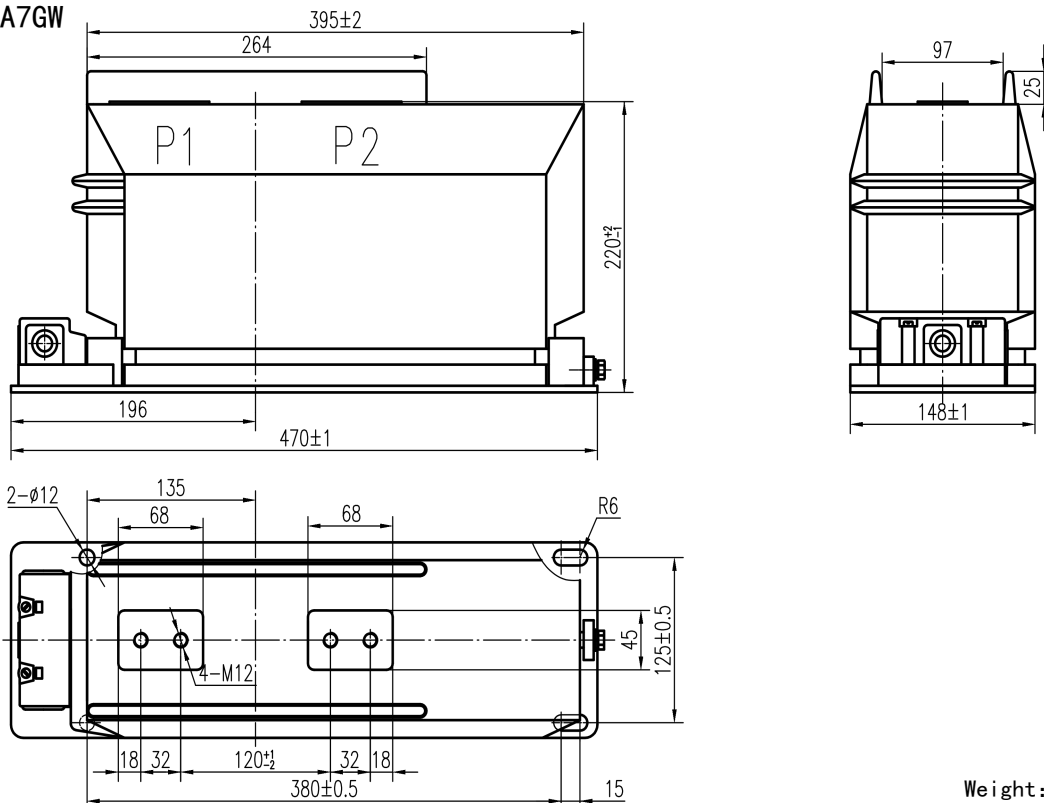
Rated secondary current: 5A, 1A

Type	Rated primary current(A)	Accuracy classes combination	Rated output (VA)	Rated short-time thermal current (kA/s)	Rated dynamic current (kA)	Rated insulation level(kV)	
ECP-17.5A7GW	20, 30 40, 50 75, 100	0.2/0.2/5P10 0.2/0.5/5P15 0.2/0.5/5P20	10/10/30 10/20/20 10/10/15	150I <sub>n</sub>	375I <sub>n</sub>	17.5/38/95	
	150 200	0.2/5P10/10P15 0.5/5P10/10P20	10/10/15 10/10/10				15
	300 400	0.2/0.2/5P10 0.2/0.5/5P15	10/10/30 10/15/20	31.5	80		
	500	0.2/0.5/5P20 0.2/5P10/10P15 0.5/5P10/10P20	10/15/15 10/15/20 15/15/15				63
		600 800	0.2/0.2/5P10 0.2/0.5/5P15 0.2/0.5/5P20	15/15/30 15/20/20 15/20/15			
			1000 1200 1250	0.2/5P10/10P15 0.5/5P10/10P20	15/15/20 20/15/15		

CURRENT TRANSFORMER

### Outline Drawing

ECP-17. 5A7GW



Weight: About 32 kg

# ECP-17. 5A8GW

## CURRENT TRANSFORMER



### Standards

IEC 61869-1 Instrument transformers - Part 1: General requirements

IEC 61869-2 Instrument transformers - Part 2: Additional requirements for current transformers

### Technical Data

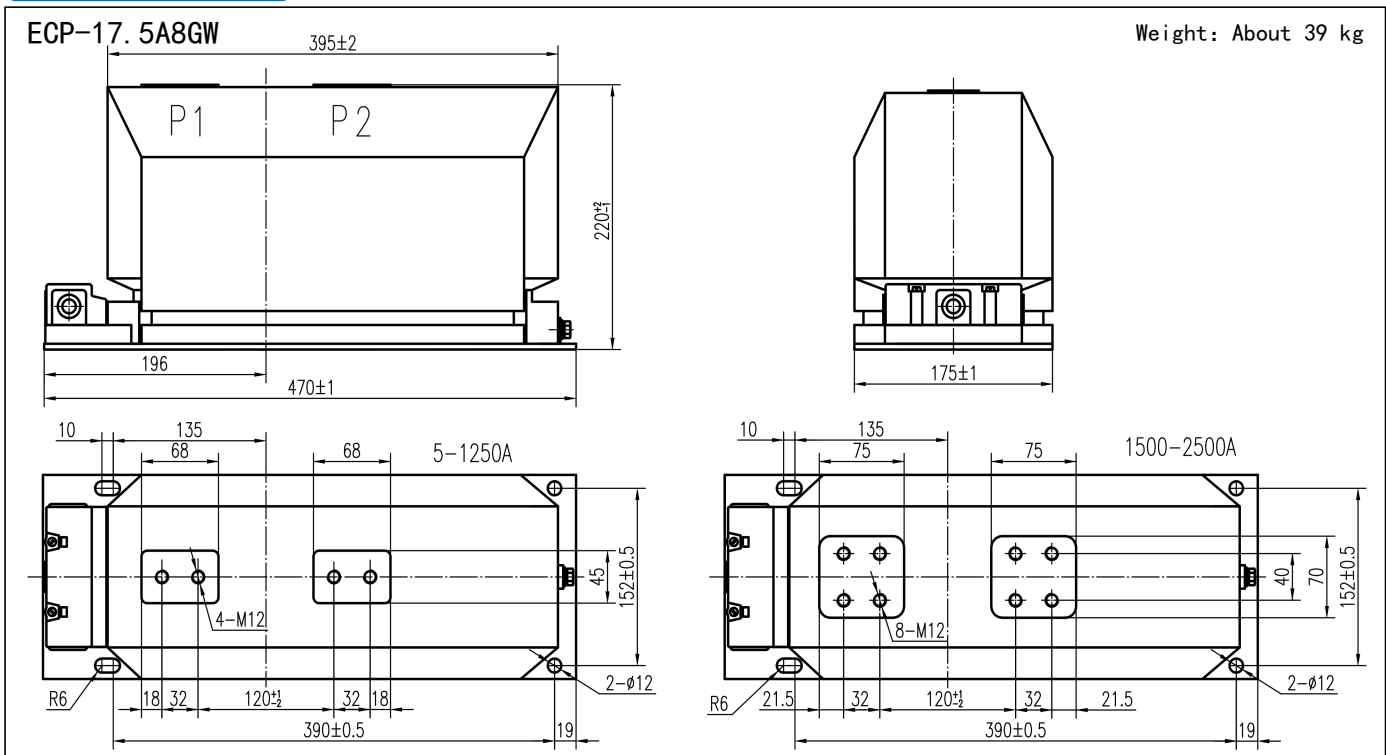
Rated secondary current: 5A, 1A

Type	Rated primary current(A)	Accuracy classes combination	Rated output (VA)	Rated short-time thermal current (kA/s)	Rated dynamic current (kA)	Rated insulation level(kV)
ECP-17.5A8GW	20,30,40 50,75,100	0.2/0.5/5P15 0.2/0.5/5P20	10/15/30 10/15/20	150I <sub>ln</sub>	375I <sub>ln</sub>	17.5/38/95
	150,200	0.5/5P10/10P20	10/20/15	15	37.5	
	300,400	0.2/0.5/5P15 0.2/0.5/5P20	10/15/30 10/15/20	31.5	80	
	500	0.5/5P10/10P20	15/20/15	63	130	
	600 800	0.2/0.5/5P15 0.2/0.5/5P20 0.5/5P10/10P20	10/20/40 10/20/30 10/20/20			
	1000 1200 1250	0.2/0.5/5P15 0.2/0.5/5P20 0.5/5P10/10P20	15/30/30 10/30/20 30/30/20	80	160	
	1500 2000	0.2/0.5/5P15 0.2/0.5/5P20 0.5/5P10/10P20	15/30/40 15/30/30 30/30/20	100		
	2500	0.2/0.5/5P15 0.2/0.5/5P20 0.5/5P10/10P20	20/40/40 20/40/30 40/30/20			

Notes: For any other special requirement, you can contact us!

### Outline Drawing

Weight: About 39 kg



# ECP-17.5C2G3

## CURRENT TRANSFORMER



### Standards

IEC 61869-1 Instrument transformers - Part 1: General requirements

IEC 61869-2 Instrument transformers - Part 2: Additional requirements for current transformers

### Technical Data

Rated secondary current: 5A, 1A

CURRENT TRANSFORMER

Type	Rated primary current(A)	Accuracy classes combination	Rated output (VA)	Rated short-time thermal current (kA/s)	Rated dynamic current (kA)	Rated insulation level(kV)
ECP-17.5C2G3	5	0.2/10P10 0.5/10P10	10/20 10/20	0.5	1.25	17.5/38/95
	10	0.2/10P10 0.5/10P10	10/20 10/20	1.0	2.5	
	15	0.2/10P10 0.5/10P10	10/20 10/20	1.5	3.75	
	20	0.2/10P10 0.5/10P10	10/20 10/20	2.0	5.0	
	30	0.2/10P10 0.5/10P10	10/20 10/20	4.5	11.25	
	40	0.2/10P10 0.5/10P10	10/20 10/20	6.0	15	
	50	0.2/10P10 0.5/10P10	10/20 10/20	7.5	18.75	
	60	0.2/10P10 0.5/10P10	10/20 10/20	9.0	22.5	
	75	0.2/10P10 0.5/10P10	10/20 10/20	10	25	
	100	0.2/10P10 0.5/10P10	10/20 10/20	21	52.5	
	150 200 250	0.2/10P10 0.5/10P10	10/20 10/20	31.5	80	
	300	0.2/10P10 0.5/10P10	10/30 20/30	45	112.5	
	400	0.2/10P10 0.5/10P10	10/30 30/30	63	130	
	500	0.2/10P10 0.5/10P10 0.2/10P15 0.5/10P15	10/30 20/30 10/20 20/20	63	130	
	600	0.2/10P10 0.5/10P10 0.2/10P15 0.5/10P15	10/30 20/30 10/20 20/20	80	160	
800 1000	0.2/10P10 0.5/10P10 0.2/10P15 0.5/10P15	15/30 30/30 15/20 30/20				

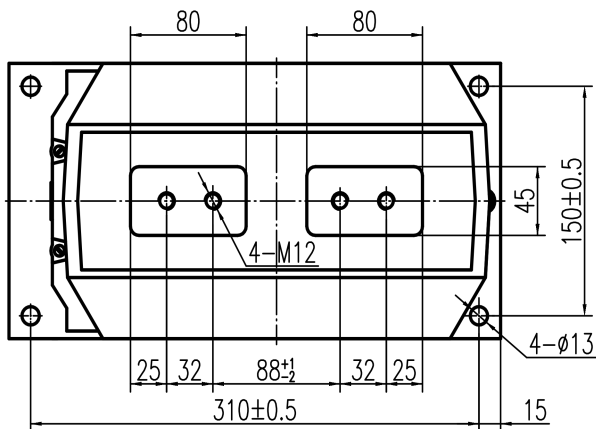
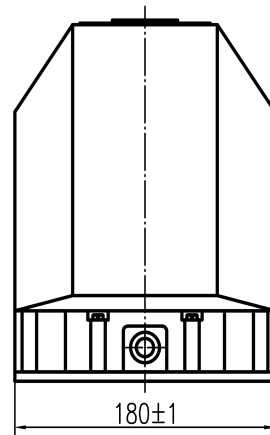
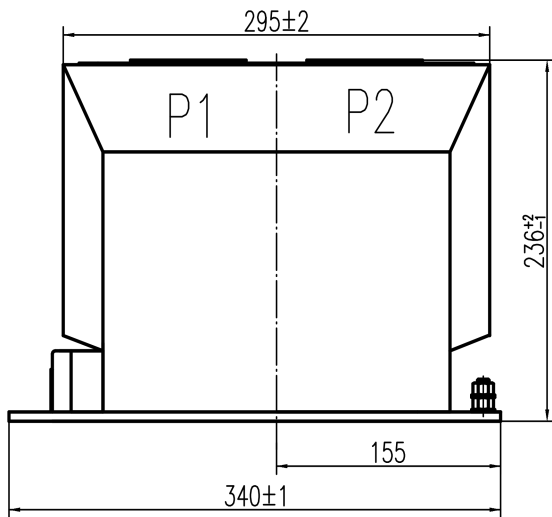
Rated secondary current: 5A, 1A

Type	Rated primary current(A)	Accuracy classes combination	Rated output (VA)	Rated short-time thermal current (kA/s)	Rated dynamic current (kA)	Rated insulation level(kV)
ECP-17.5C2G3	1200	0.2/10P10	15/30	100	160	17.5/38/95
		0.5/10P10	30/30			
	1250	0.2/10P15	15/20			
		0.5/10P15	30/20			
	1500	0.2/10P10	30/30			
		0.5/10P10	60/30			
		0.2/10P15	30/30			
		0.5/10P15	60/30			

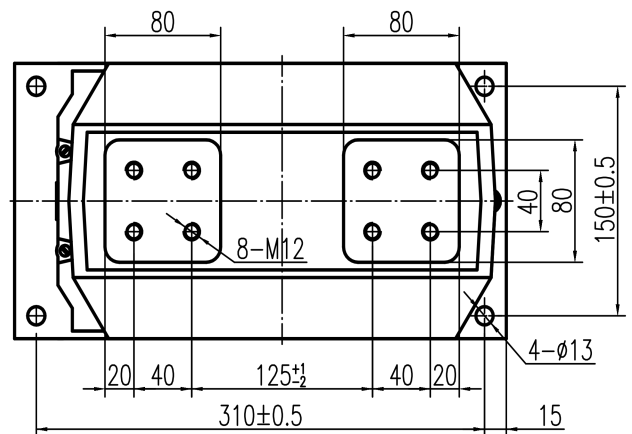
Notes: For any other special requirement, you can contact us!

Outline Drawing

ECP-17.5C2G3



5-800A



1000-2500A

Weight: About 33 kg

# ECP-17.5C3

## CURRENT TRANSFORMER



### Standards

IEC 61869-1 Instrument transformers - Part 1: General requirements

IEC 61869-2 Instrument transformers - Part 2: Additional requirements for current transformers

### Technical Data

Rated secondary current: 5A, 1A

CURRENT TRANSFORMER

Type	Rated primary current(A)	Accuracy classes combination	Rated output (VA)	Rated short-time thermal current (kA/s)	Rated dynamic current (kA)	Rated insulation level(kV)
ECP-17.5C3	5	0.2/5P20 0.5/5P20 5P20/5P20	10/20 20/20 15/15	0.5	1.25	17.5/38/95
	10			1	2.5	
	15			1.5	3.75	
	20			2	5	
	30			3	7.5	
	40	0.2/5P20 0.5/5P20 5P20/5P20	10/20 20/20 15/15	4	10	
	50			5	12.5	
	60			6	15	
	75			7.5	18.75	
	100			10	25	
	150			15	37.5	
	200,250,300			21	52.5	
	400,500			45	112.5	
	600,800,1000			80	160	
	1200,1250			5P20/5P20		
	1500 2000	0.2/5P20 0.5/5P20 5P20/5P20	30/30 30/30 20/20			
	2500	0.2/5P20 0.5/5P20 5P20/5P20	30/30 30/30 15/20	100	160	
	5	0.2/0.5/5P20 0.5/0.5/5P20 0.5/5P20/5P20	10/20/15 20/20/15 20/10/10	0.5	1.25	
	10			1	2.5	
	15			1.5	3.75	
	20			2	5	
	30			3	7.5	
	40			4	10	
	50			5	12.5	
	60			6	15	
	75			7.5	18.75	
	100			10	25	
	150	15	37.5			
200,250	0.2/0.5/5P20	10/20/15	21	52.5		
300,400	0.5/0.5/5P20	20/20/15	31.5	80		
500	0.5/5P20/5P20	20/10/10	63	130		
600			80	160		

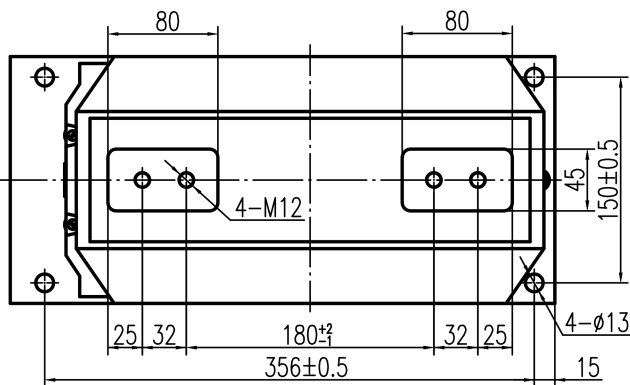
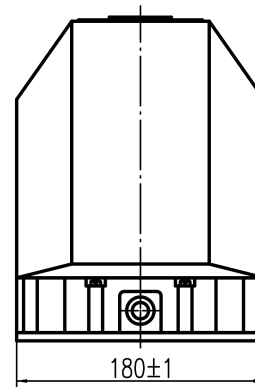
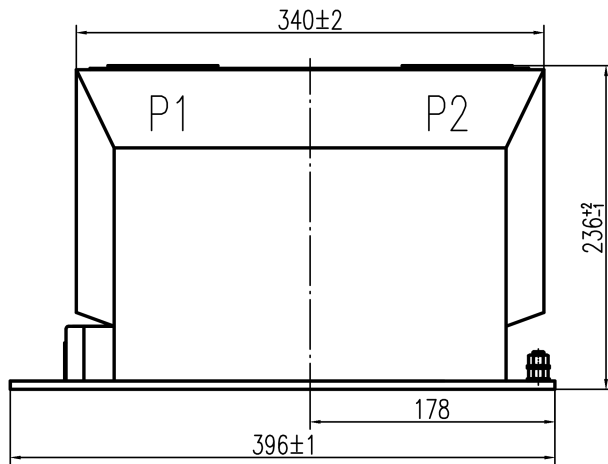
Rated secondary current: 5A, 1A

Type	Rated primary current(A)	Accuracy classes combination	Rated output (VA)	Rated short-time thermal current (kA/s)	Rated dynamic current (kA)	Rated insulation level(kV)
ECP-17.5C3	800,1000	0.2/0.5/5P20	10/30/15	80	160	17.5/38/95
	1200,1250	0.5/0.5/5P20	30/30/15			
	1500 1600	0.5/5P20/5P20	30/10/10	100		
		0.2/0.5/5P20	30/30/20			
	0.5/0.5/5P20	30/30/20				
2000	0.5/5P20/5P20	30/15/15				
2500	0.2/0.5/5P20	30/30/30	30/30/30	30/30/20	30/15/20	
		0.5/0.5/5P20	30/30/20	30/30/20	30/15/15	

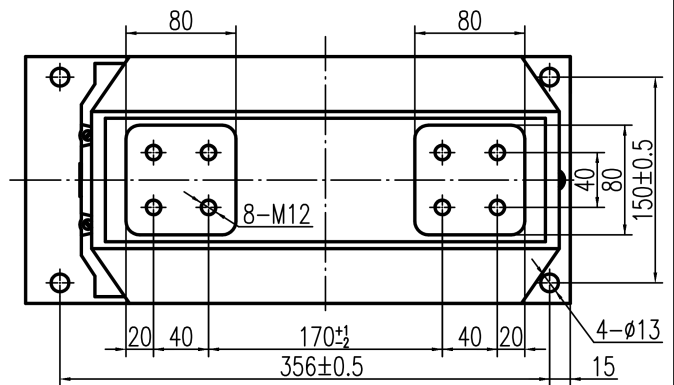
Notes: For any other special requirement, you can contact us!

Outline Drawing

ECP-17.5C3



5-1000A



1200-2500A

Weight: About 38 kg

# ECP-17.5K1

## CURRENT TRANSFORMER



### Standards

IEC 61869-1 Instrument transformers - Part 1: General requirements

IEC 61869-2 Instrument transformers - Part 2: Additional requirements for current transformers

### Technical Data

Rated secondary current: 5A, 1A

CURRENT TRANSFORMER

Type	Rated primary current(A)	Accuracy classes combination	Rated output (VA)	Rated short-time thermal current (kA/s)	Rated dynamic current (kA)	Rated insulation level(kV)
ECP-17.5K1	5	0.2/5P20 0.5/5P20 5P20/5P20	10/20 20/20 15/15	0.5	1.25	17.5/38/95
	10			1	2.5	
	15			1.5	3.75	
	20			2	5	
	30			3	7.5	
	40			4	10	
	50			5	12.5	
	60			6	15	
	75			7.5	18.75	
	100			10	25	
	150			15	37.5	
	200,250,300			21	52.5	
	400,500			45	112.5	
	600,800,1000			80	100	
	1200,1250					
	1500 2000	0.2/5P20 0.5/5P20 5P20/5P20	30/30 60/30 20/20			
	2500	0.2/5P20 0.5/5P20 5P20/5P20	30/30 60/30 15/20			
	5	0.2/0.5/5P20 0.5/0.5/5P20 0.5/5P20/5P20	10/20/15 20/20/15 20/10/10	0.5	1.25	
	10			1	2.5	
	15			1.5	3.75	
	20			2	5	
	30			3	7.5	
	40			4	10	
	50			5	12.5	
	60			6	15	
	75			7.5	18.75	
	100			10	25	
	150			15	37.5	
200,250	21			52.5		
300,400	31.5			80		
500	63			130		
600	80			160		

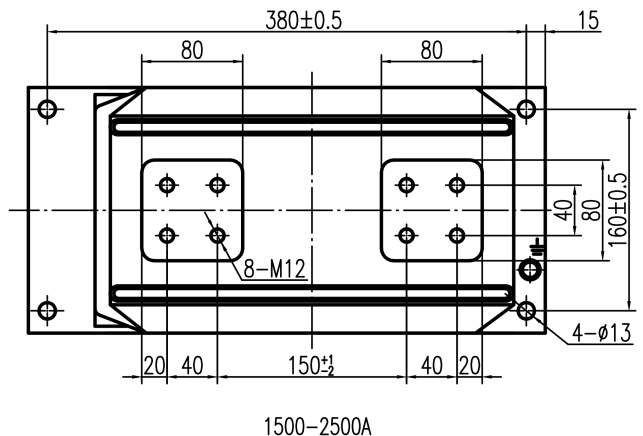
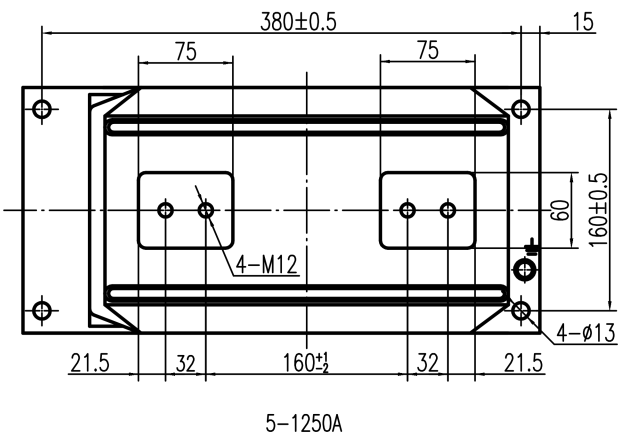
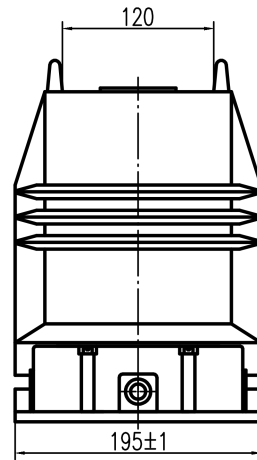
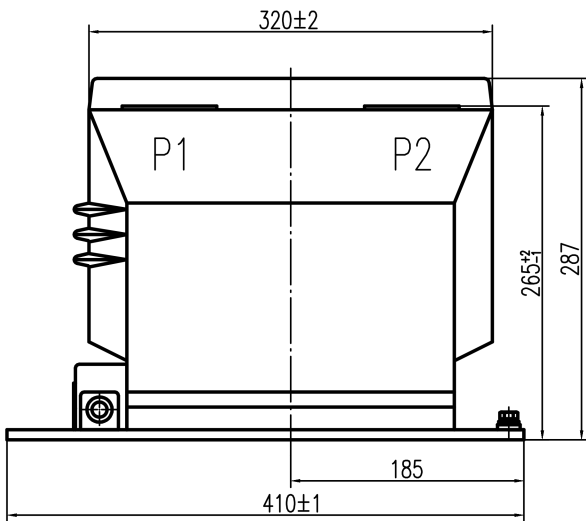
Rated secondary current: 5A, 1A

Type	Rated primary current(A)	Accuracy classes combination	Rated output (VA)	Rated short-time thermal current (kA/s)	Rated dynamic current (kA)	Rated insulation level(kV)
ECP-17.5K1	800,1000	0.2/0.5/5P20	10/30/15	80	160	17.5/38/95
	1200,1250	0.5/0.5/5P20	30/30/15			
	1500 1600	0.5/5P20/5P20	30/10/10	100		
		0.2/0.5/5P20	30/60/20			
	0.5/0.5/5P20	60/60/20				
2000	0.5/5P20/5P20	60/15/15				
2500	0.2/0.5/5P20	30/60/30	60/60/30			
	0.5/0.5/5P20	60/60/30				
	0.5/5P20/5P20	60/15/20				
2500	0.2/0.5/5P20	30/60/20	60/60/20			
	0.5/0.5/5P20	60/60/20				
	0.5/5P20/5P20	60/15/15				

Notes: For any other special requirement, you can contact us!

Outline Drawing

ECP-17.5K1



Weight: About 46 kg

# ECP-17.5K2

## CURRENT TRANSFORMER



### Standards

IEC 61869-1 Instrument transformers - Part 1: General requirements

IEC 61869-2 Instrument transformers - Part 2: Additional requirements for current transformers

### Technical Data

Rated secondary current: 5A, 1A

Type	Rated primary current(A)	Accuracy classes combination	Rated output (VA)	Rated short-time thermal current (kA/s)	Rated dynamic current (kA)	Rated insulation level(kV)
ECP-17.5K2	5	0.2/5P20 0.5/5P20 5P20/5P20	10/30 30/30 20/20	0.5	1.25	17.5/38/95
	10			1	2.5	
	15			1.5	3.75	
	20			2	5	
	30			3	7.5	
	40			4	10	
	50			5	12.5	
	60			6	15	
	75			7.5	18.75	
	100			10	25	
	150			15	37.5	
	200,250,300			21	52.5	
	400,500			45	112.5	
	600,800,1000			80		
	1200,1250					
	1500	0.2/5P20 0.5/5P20 5P20/5P20	30/30 60/30 30/30	100	160	
	2000					
	2500	0.2/5P20 0.5/5P20 5P20/5P20	30/30 60/30 20/30			
	5	0.2/0.5/5P20 0.5/0.5/5P20 0.5/5P20/5P20	10/20/30 20/20/30 20/20/20	0.5	1.25	
	10			1	2.5	
	15			1.5	3.75	
	20			2	5	
	30			3	7.5	
	40			4	10	
	50			5	12.5	
	60			6	15	
	75			7.5	18.75	
	100			10	25	
150	15			37.5		
200,250	21			52.5		
300,400	31.5			80		
500	63			130		
600	80			160		

CURRENT TRANSFORMER

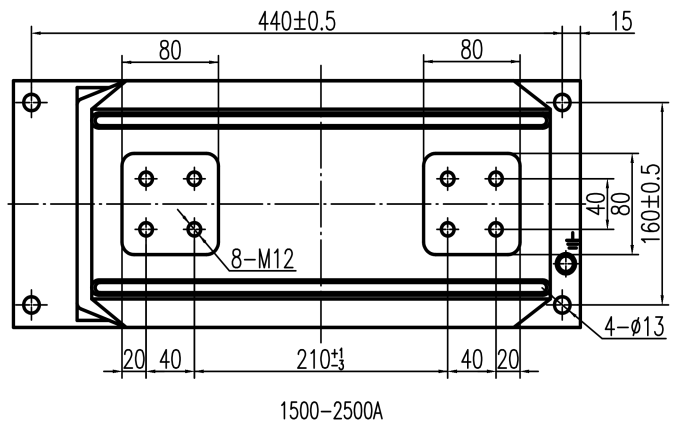
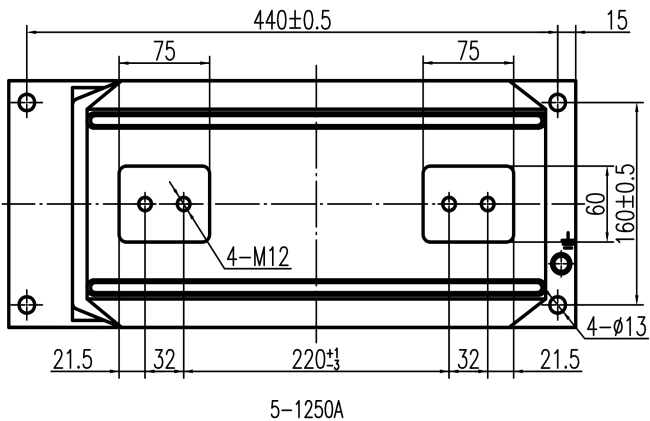
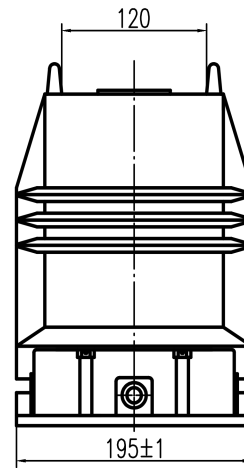
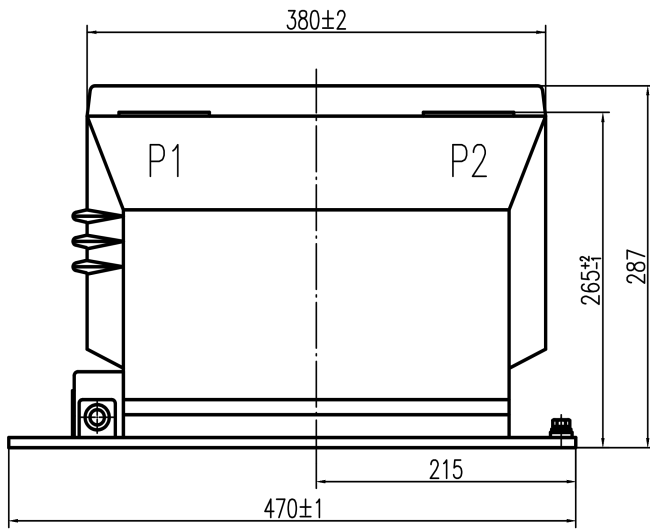
Rated secondary current: 5A, 1A

Type	Rated primary current(A)	Accuracy classes combination	Rated output (VA)	Rated short-time thermal current (kA/s)	Rated dynamic current (kA)	Rated insulation level(kV)
ECP-17.5K2	800,1000	0.2/0.5/5P20 0.5/0.5/5P20 0.5/5P20/5P20	10/30/30 30/30/30 30/20/20	80	160	17.5/38/95
	1200,1250					
	1500 1600	0.2/0.5/5P20 0.5/0.5/5P20 0.5/5P20/5P20	30/60/40 60/60/40 60/30/30	100		
	2000	0.2/0.5/5P20 0.5/0.5/5P20 0.5/5P20/5P20	30/60/30 60/60/30 60/20/20			
	2500	0.2/0.5/5P20 0.5/0.5/5P20 0.5/5P20/5P20	30/60/20 60/60/20 60/15/15			

Notes: For any other special requirement, you can contact us!

Outline Drawing

ECP-17.5K2



Weight: About 58 kg

# ECP-17.5/150b/4BF2

## CURRENT TRANSFORMER



### Standards

IEC 61869-1 Instrument transformers - Part 1: General requirements

IEC 61869-2 Instrument transformers - Part 2: Additional requirements for current transformers

### Technical Data

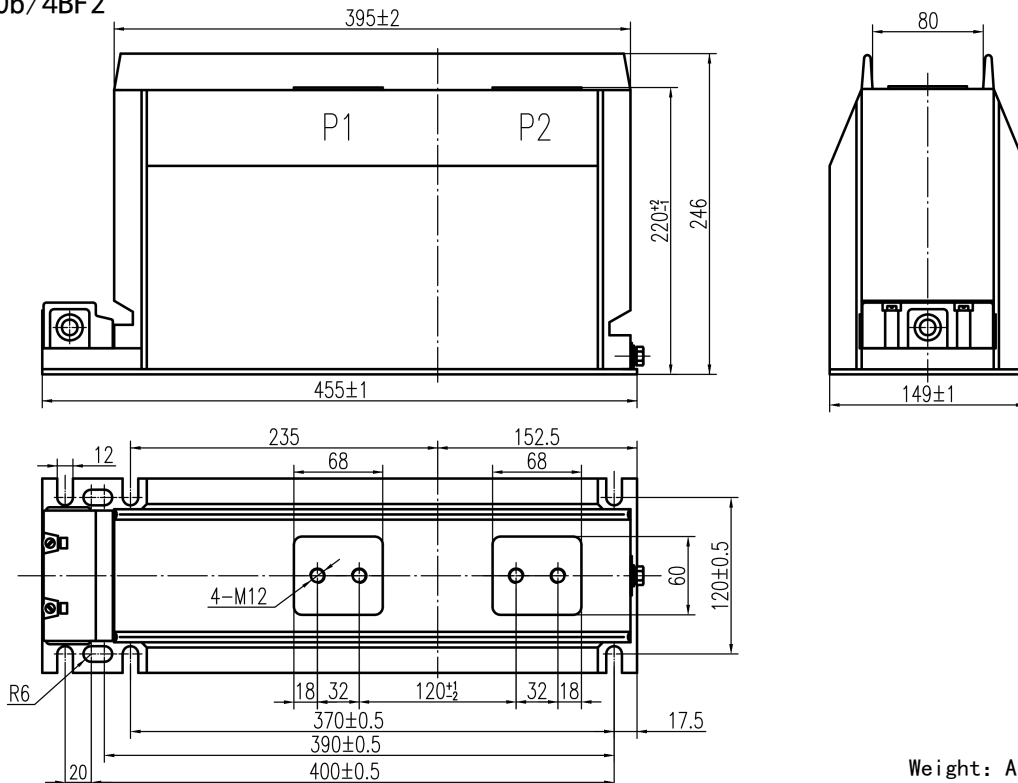
Rated secondary current: 5A, 1A

Type	Rated primary current(A)	Accuracy classes combination	Rated output(VA)	Rated short-time thermal current(kA/s)	Rated dynamic current (kA)	Rated insulation level(kV)
ECP-17.5/150b/4BF2	20,30	0.2/0.2/5P10	10/10/30	150I <sub>1n</sub>	375I <sub>1n</sub>	17.5/38/95
	40,50	0.2/0.5/5P15	10/20/20			
	75,100	0.2/0.5/5P20	10/10/15			
	150	0.2/5P10/10P15	10/10/15	15-31.5	37.5-80	
	200	0.5/5P10/10P20	10/10/10	31.5-45	80-112.5	
	300	0.2/0.2/5P10	10/10/30			
	400	0.2/0.5/5P15	10/15/20	63	130	
	500	0.2/0.5/5P20	10/15/15			
		0.2/5P10/10P15	10/15/20			
	600	0.5/5P10/10P20	15/15/15	80	160	
		0.2/0.2/5P10	15/15/30			
		0.2/0.5/5P15	15/20/20			
800	0.2/0.5/5P20	15/20/15	20/15/15			
	0.2/5P10/10P15	15/15/20				
1000	0.5/5P10/10P20	20/15/15				
	0.2/0.2/5P10	10/10/30				
	0.2/0.5/5P15	10/15/20				
	0.2/0.5/5P20	10/15/15				
1200	0.2/5P10/10P15	10/15/20				
	0.5/5P10/10P20	15/15/15				

CURRENT TRANSFORMER

### Outline Drawing

ECP-17.5/150b/4BF2



Weight: About 32 kg

# ECP-17.5/175b/2

## CURRENT TRANSFORMER



### Standards

IEC 61869-1 Instrument transformers – Part 1: General requirements

IEC 61869-2 Instrument transformers – Part 2: Additional requirements for current transformers

### Technical Data

Rated secondary current: 5A, 1A

Type	Rated primary current(A)	Accuracy classes combination	Rated output (VA)	Rated short-time thermal current (kA/s)	Rated dynamic current (kA)	Rated insulation level(kV)
ECP-17.5/175b/2	5	0.2/10P10	10/20	0.5	1.25	17.5/38/95
		0.5/10P10	10/20			
	10	0.2/10P10	10/20	1.0	2.5	
		0.5/10P10	10/20			
	15	0.2/10P10	10/20	1.5	3.75	
		0.5/10P10	10/20			
	20	0.2/10P10	10/20	3.0	7.5	
		0.5/10P10	10/20			
	30	0.2/10P10	10/20	4.5	11.25	
		0.5/10P10	10/20			
	40	0.2/10P10	10/20	6.0	15	
		0.5/10P10	10/20			
	50	0.2/10P10	10/20	7.5	18.75	
		0.5/10P10	10/20			
	60	0.2/10P10	10/20	9.0	22.5	
		0.5/10P10	10/20			
	75	0.2/10P10	10/20	10	25	
		0.5/10P10	10/20			
	100	0.2/10P10	10/20	15	37.5	
		0.5/10P10	10/20			
150	0.2/10P10	10/20	21	52.5		
	0.5/10P10	10/20				
200	0.2/10P10	10/20	31.5	80		
	250	0.5/10P10			10/20	
300	0.2/10P10	10/30	45	112.5		
	0.5/10P10	20/30				
400	0.2/10P10	10/30	63	130		
	0.5/10P10	30/30				
500	0.2/10P10	10/20	80	160		
	0.5/10P10	20/30				
	0.2/10P15	10/20				
	0.5/10P15	20/20				
600	0.2/10P10	10/30	80	160		
	0.5/10P10	20/30				
	0.2/10P15	10/20				
	0.5/10P15	20/20				
800	0.2/10P10	15/30	80	160		
	0.5/10P10	30/30				
	1000	0.2/10P15			15/20	
		0.5/10P15	30/20			

CURRENT TRANSFORMER

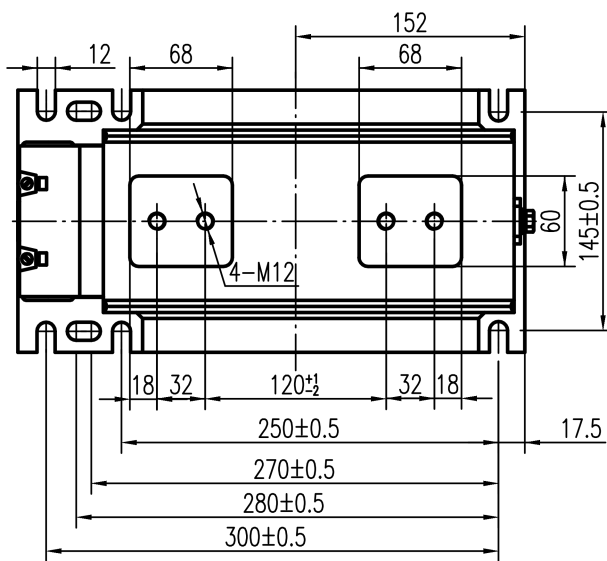
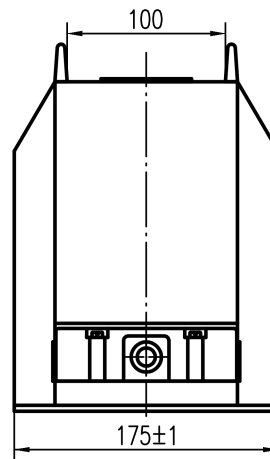
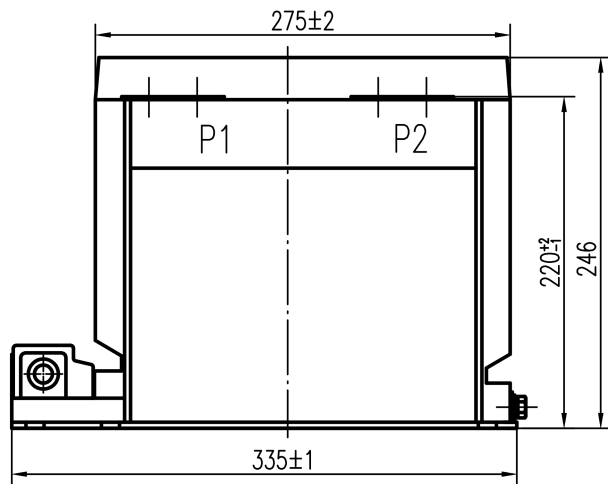
Rated secondary current: 5A, 1A

Type	Rated primary current(A)	Accuracy classes combination	Rated output (VA)	Rated short-time thermal current (kA/s)	Rated dynamic current (kA)	Rated insulation level(kV)
ECP-17.5/175b/2	1200	0.2/10P10	15/30	100	160	17.5/38/95
		0.5/10P10	30/30			
	1250	0.2/10P15	15/20			
		0.5/10P15	30/20			
	1500	0.2/10P10	30/30			
		0.5/10P10	60/30			
2500	0.2/10P15	30/30				
	0.5/10P15	60/30				

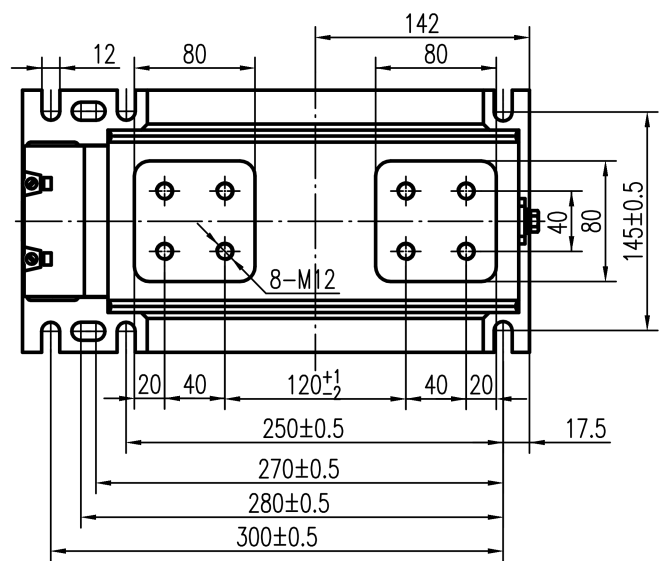
Note: For any other special requirement, you can contact us!

Outline Drawing

ECP-17.5/175b/2



5-1250A



1500-2500A

Weight: About 28 kg

# ECP-17.5/220b/4

## CURRENT TRANSFORMER



### Standards

IEC 61869-1 Instrument transformers - Part 1: General requirements

IEC 61869-2 Instrument transformers - Part 2: Additional requirements for current transformers

### Technical Data

Rated secondary current: 5A, 1A

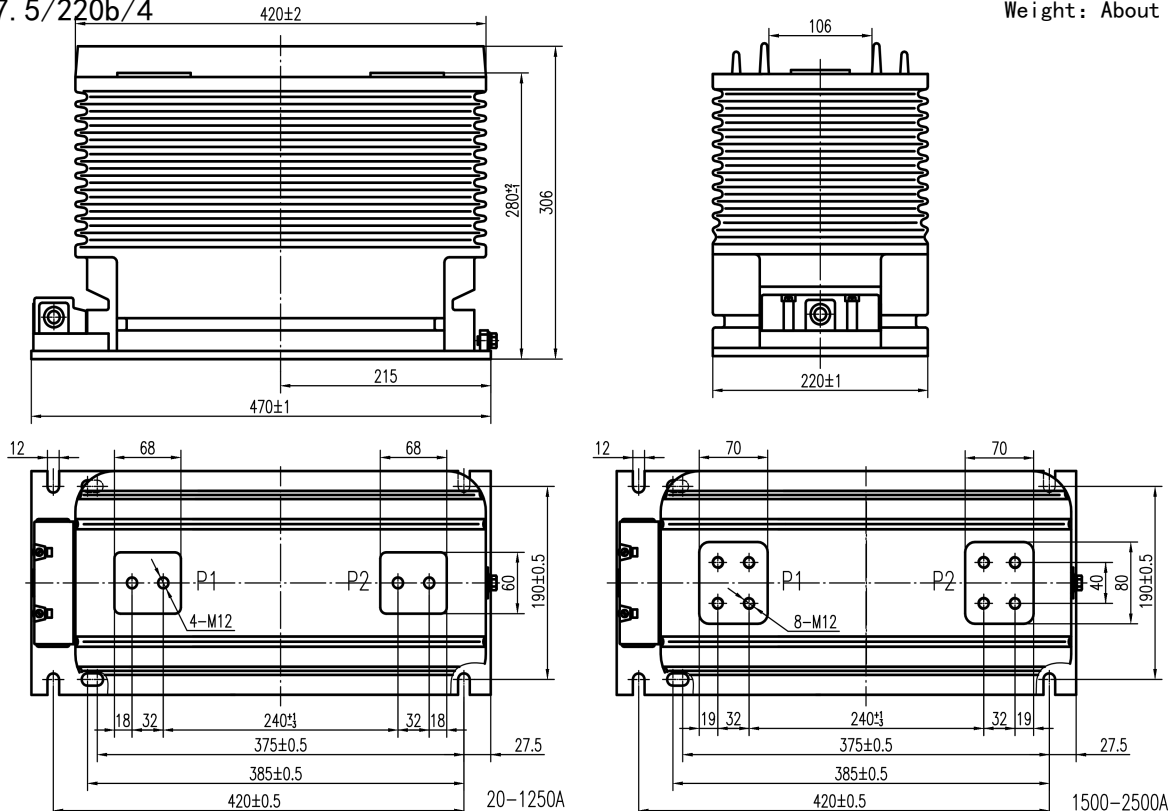
Type	Rated primary current(A)	Accuracy classes combination	Rated output (VA)	Rated short-time thermal current(kA/s)	Rated dynamic current (kA)	Rated insulation level(kV)
ECP-17.5/200b/4	20, 30,40,50 75,100,150	0.2/0.2/0.2 0.2/0.5/0.5	10/10/10 10/15/15	150I <sub>in</sub>	375I <sub>in</sub>	17.5/38/95
	200	0.2/10P10/10P10 0.5/10P10/10P10	10/15/15 15/15/15	31.5	80	
	300,400,500	0.2/10P15/10P15 0.5/10P15/10P15	10/10/10 15/10/10	45	112.5	
	600 800	0.2/0.2/0.2 0.2/0.5/0.5	15/15/15 15/20/20	63	130	
	1000 1200 1250	0.2/10P10/10P10 0.5/10P10/10P10 0.2/10P15/10P15 0.5/10P15/10P15	15/20/20 20/20/20 15/15/15 20/15/15	80	160	
	1500 2000 2500	0.2/0.2/0.2 0.2/0.5/0.5 0.2/10P10/10P10 0.5/10P10/10P10 0.2/10P15/10P15 0.5/10P15/10P15	20/20/20 20/30/30 20/25/25 30/25/25 20/20/20 30/20/20	100	160	

CURRENT TRANSFORMER

### Outline Drawing

ECP-17.5/220b/4

Weight: About 64 kg



# ECP-24/185b (h) /2

## CURRENT TRANSFORMER



### Standards

IEC 61869-1 Instrument transformers – Part 1: General requirements

IEC 61869-2 Instrument transformers – Part 2: Additional requirements for current transformers

### Technical Data

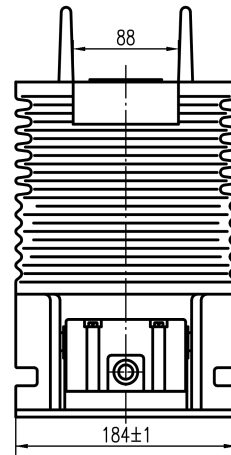
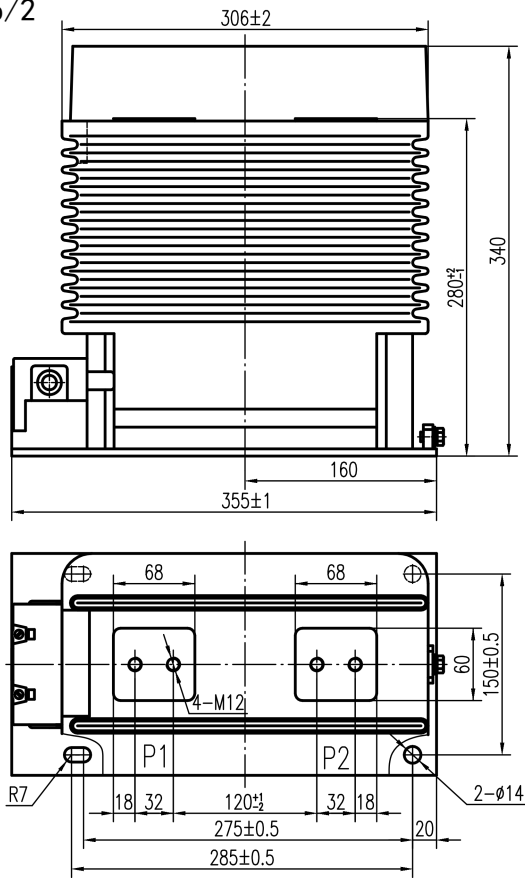
Rated secondary current: 5A, 1A

Type	Rated primary current(A)	Accuracy classes combination	Rated output (VA)	Rated short-time thermal current (kA/s)	Rated dynamic current (kA)	Rated insulation level(kV)
ECP-24/185b/2 ECP-24/185h/2	20, 30, 40, 50, 75, 100, 150	0.2/0.2 0.2/0.5	10/10 10/15	150I <sub>ln</sub>	375I <sub>ln</sub>	24/50/125
	200	0.2/10P10 0.5/10P10	10/15 15/15	31.5	80	
	300, 400, 500	0.2/10P15 0.5/10P15	10/10 10/10	45	112.5	
	600 800	0.2/0.2 0.2/0.5	15/15 15/15	63	130	
		0.2/10P10 0.5/10P10	15/15 15/15			
		0.2/10P15 0.5/10P15	15/10 15/10			
		1000 1200 1250	0.2/0.2 0.2/0.5			
	0.2/10P10 0.5/10P10		15/20 20/20			
	0.2/10P15 0.5/10P15		15/15 20/15			
	1500 1600 2000 2500		0.2/0.2 0.2/0.5	20/20 20/20	100	
0.2/10P10 0.5/10P10		20/25 20/25				
0.2/10P15 0.5/10P15		20/20 20/20				

Note: For any other special requirement, you can contact us!

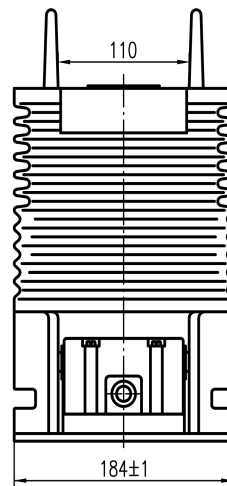
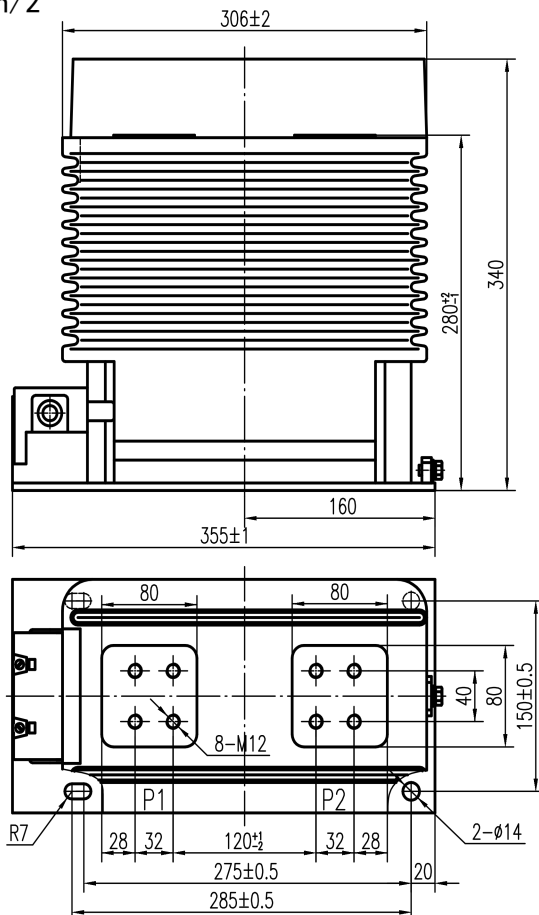
Outline Drawing

ECP-24/185b/2



Weight: About 33 kg

ECP-24/185h/2



Weight: About 39 kg

# ECZ-0.5/155\*310

## CURRENT TRANSFORMER



### Standards

IEC 61869-1 Instrument transformers - Part 1: General requirements

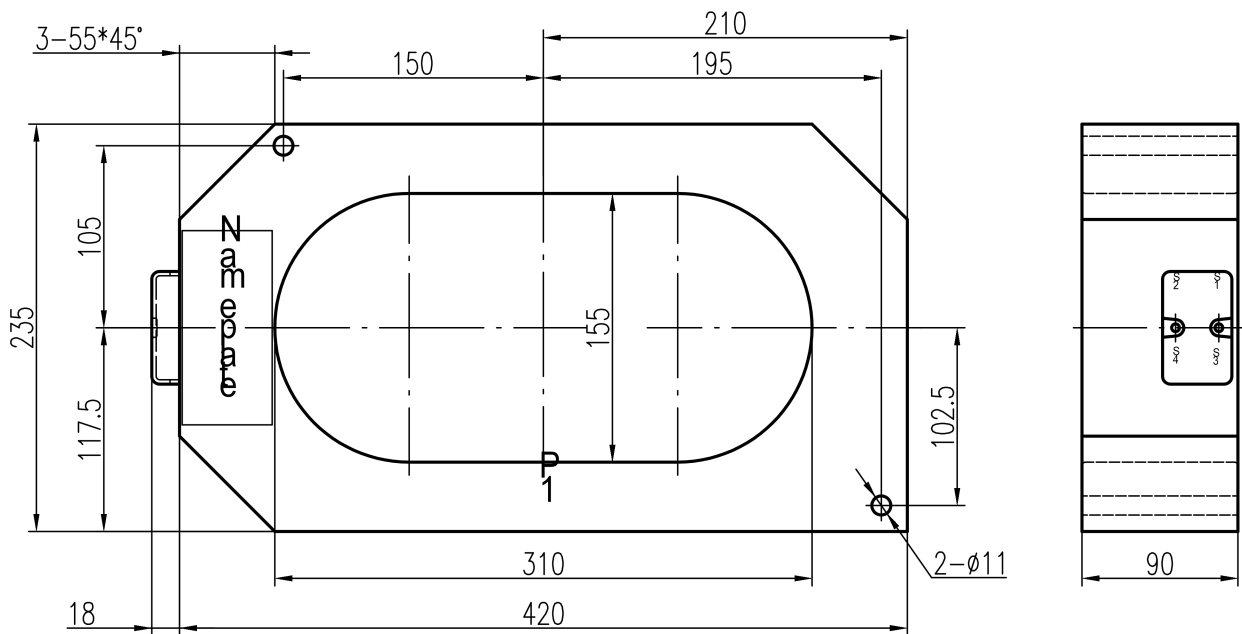
IEC 61869-2 Instrument transformers - Part 2: Additional requirements for current transformers

### Technical Data

Type	Rated transformation ratio(A)	Accuracy class	Rated output (VA)	Rated insulation level(kV)	
ECZ-0.5/155*310	50~75/1	10P10	1	0.72/3	
	150/5		2.5		
	100/1		3.75		
	200/5		5		
	150/1		7.5		
	200/1	5P10	10		
	300/1(5)		15		
	400/1(5)		20		
	500~600/1(5)		30		
	750~1000/1(5)		7.5		
	1200~2500/1(5)		5P20		10
	750~1000/1(5)				
	1200~2500/1(5)				

### Outline Drawing

ECZ-0.5/155\*310



Weight: About 15 kg

# ECZ-0.5/300\*500

## CURRENT TRANSFORMER



### Standards

IEC 61869-1 Instrument transformers - Part 1: General requirements

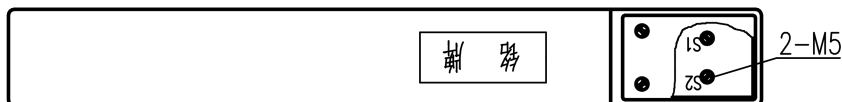
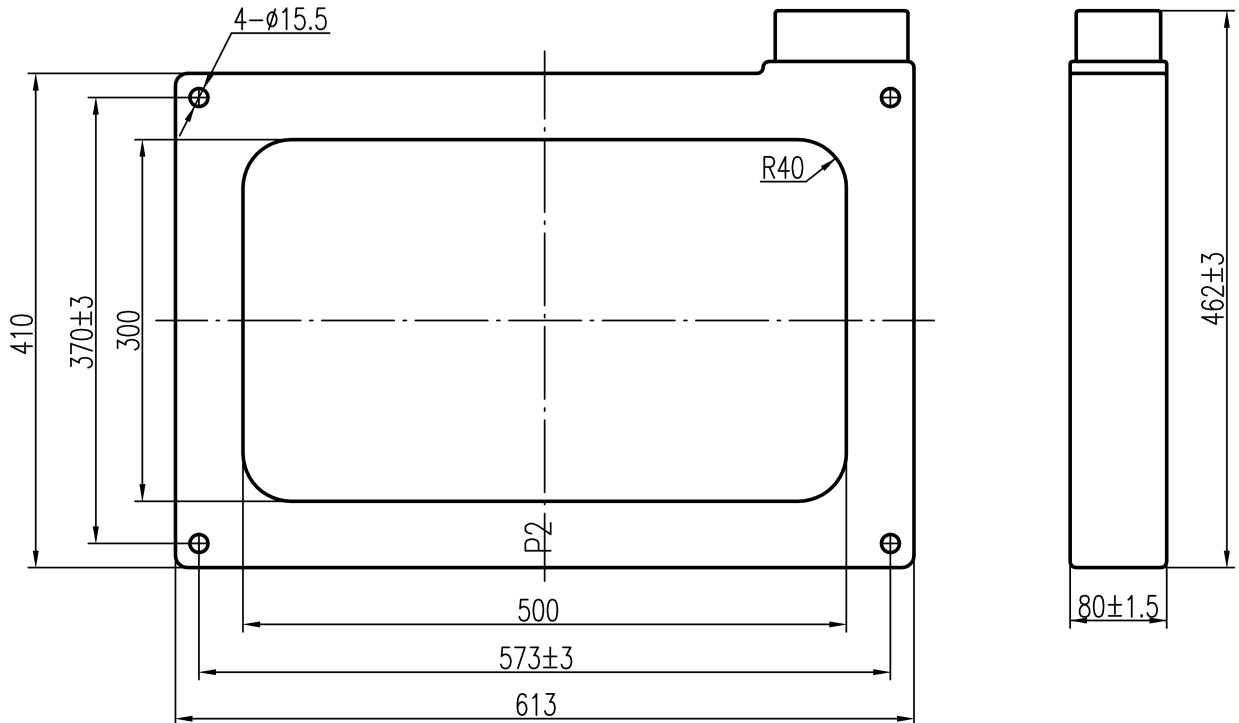
IEC 61869-2 Instrument transformers - Part 2: Additional requirements for current transformers

### Technical Data

Type	Rated transformation ratio(A)	Accuracy class	Rated output (VA)	Rated insulation level(kV)
ECZ-0.5/300*500	50/1	10P10	1	0.72/3

### Outline Drawing

ECZ-0.5/300\*500

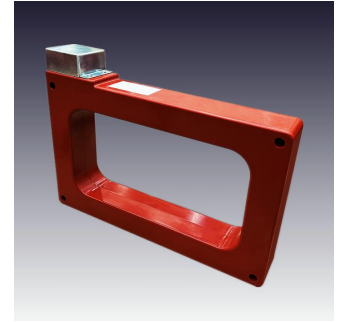


Weight: About 27 kg

CURRENT TRANSFORMER

# ECZ-0.5/450\*650

## CURRENT TRANSFORMER



### Standards

IEC 61869-1 Instrument transformers - Part 1: General requirements

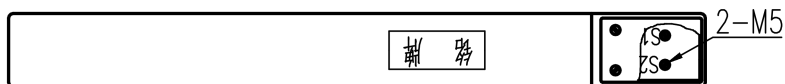
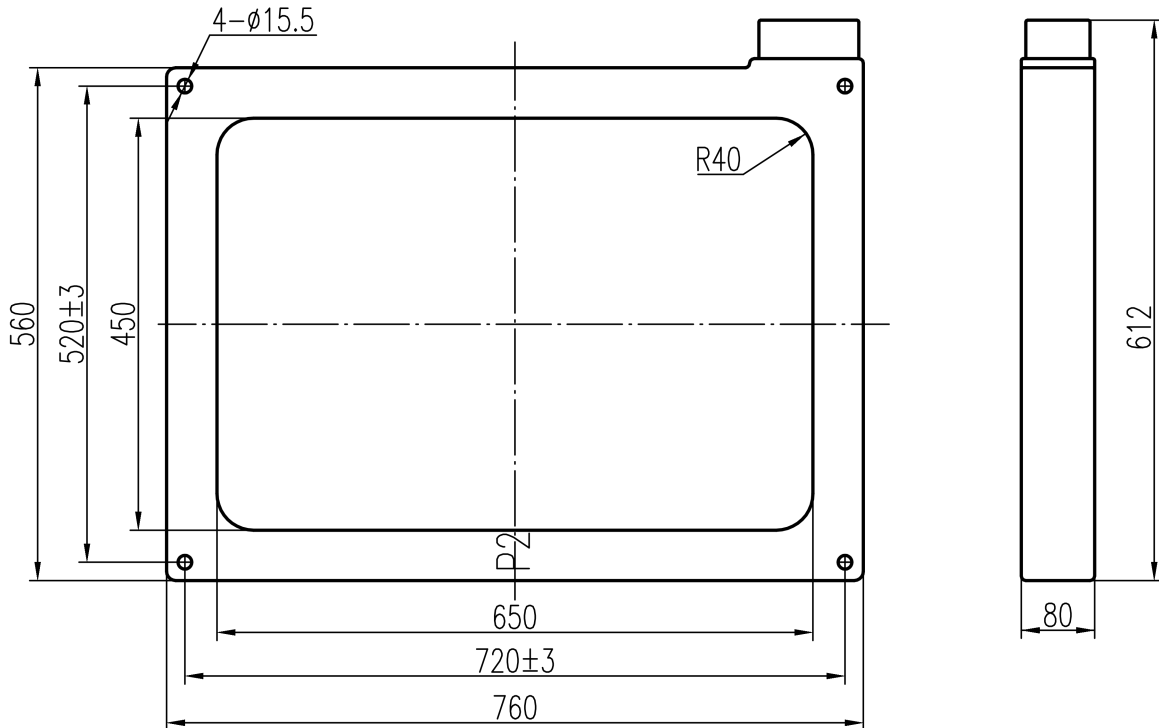
IEC 61869-2 Instrument transformers - Part 2: Additional requirements for current transformers

### Technical Data

Type	Rated transformation ratio(A)	Accuracy class	Rated output (VA)	Rated insulation level(kV)
ECZ-0.5/450*650	50/1	10P10	1	0.72/3

### Outline Drawing

ECZ-0.5/450\*650



Weight: About 36 kg

# ECZ-LXK SERIES

## CURRENT TRANSFORMER



### Standards

IEC 61869-1 Instrument transformers - Part 1: General requirements

IEC 61869-2 Instrument transformers - Part 2: Additional requirements for current transformers

### Technical Data

Table1

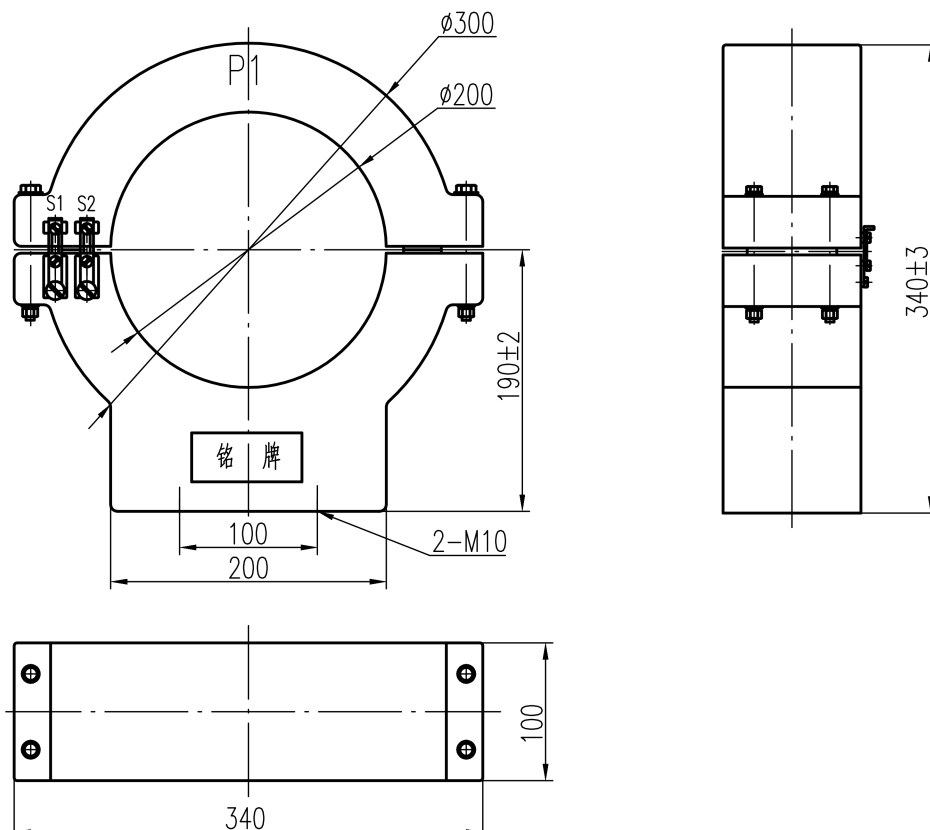
Type	Rated transformation ratio(A)	Accuracy class	Rated output (VA)	Rated insulation level(kV)
ECZ-LXK-Φ80 ECZ-LXK-Φ100 ECZ-LXK-Φ120 ECZ-LXK-Φ150 ECZ-LXK-Φ180 ECZ-LXK-Φ200	50/1 60/1	3	1	0.72/3

Table2

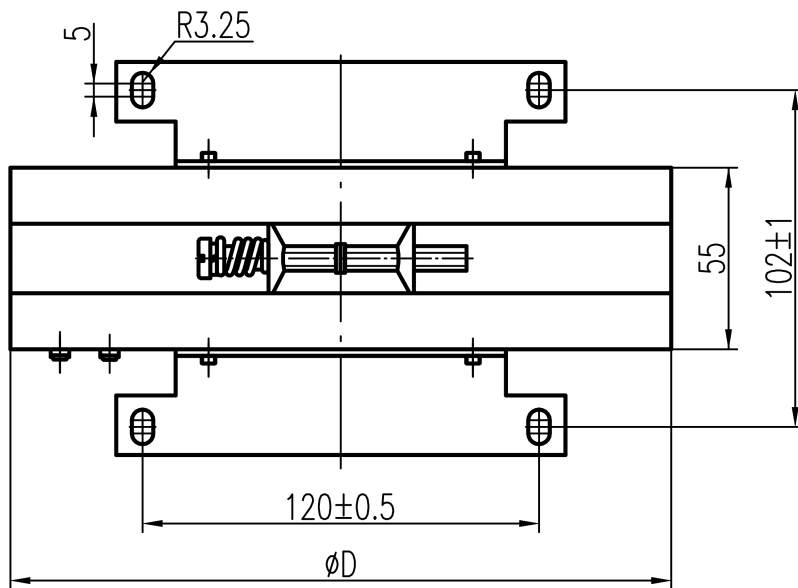
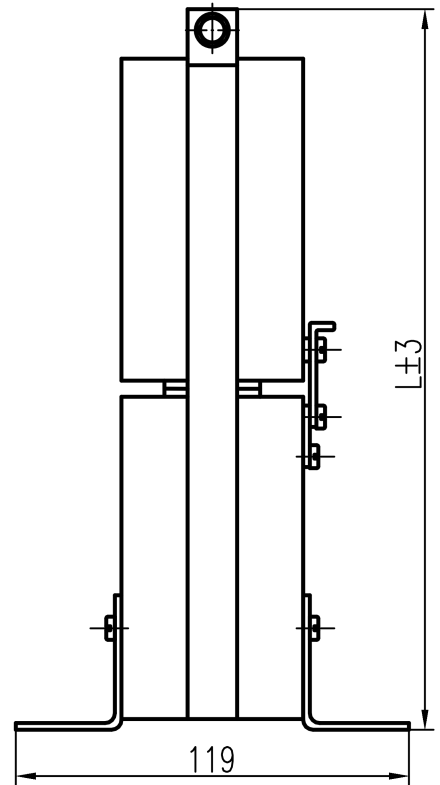
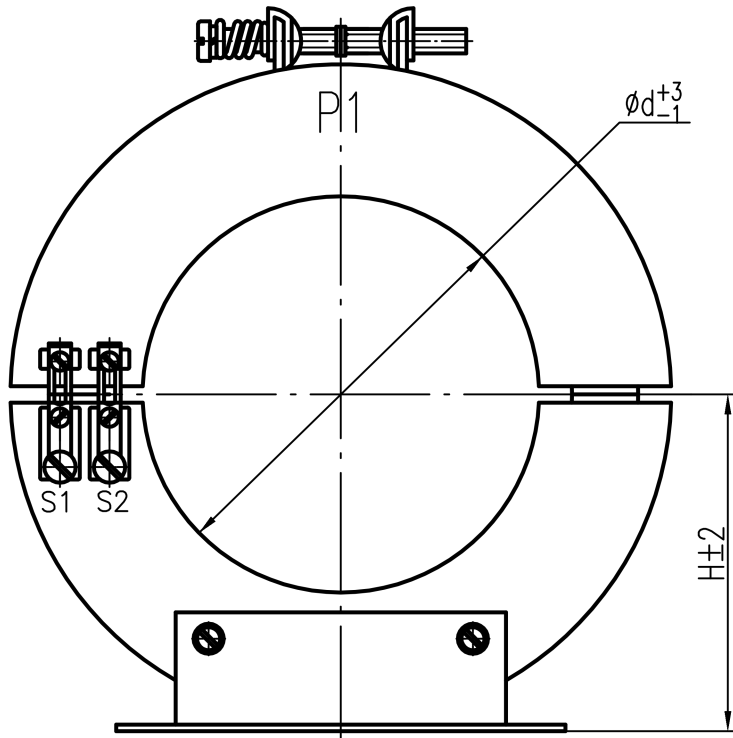
Type of relay	Connecting method of relay winding	Scale value of relay	Primary zero-sequence current(A)
DD-11/60	Series	15×1 30×1	2.4-4.5
	Parallel	15×2 30×2	3-5
DD-1/60	Series	15×1 30×1	3-5
	Parallel	15×2 30×2	3-6

### Outline Drawing

ECZ-LXK-Φ 200



ECZ-LXK-Φ80、ECZ-LXK-Φ100、ECZ-LXK-Φ120、ECZ-LXK-Φ150、ECZ-LXK-Φ180



CURRENT TRANSFORMER

Type	$\phi d$	$\phi D$	H	L	Type	$\phi d$	$\phi D$	H	L
ECZ-LXK-Φ80	80	160	81	180	ECZ-LXK-Φ150	150	234	118	250
ECZ-LXK-Φ100	100	180	91	197	ECZ-LXK-Φ180	180	263	132.5	278
ECZ-LXK-Φ120	120	200	102	220					

# ECZ-LXZ2 SERIES

## CURRENT TRANSFORMER



### Standards

IEC 61869-1 Instrument transformers - Part 1: General requirements

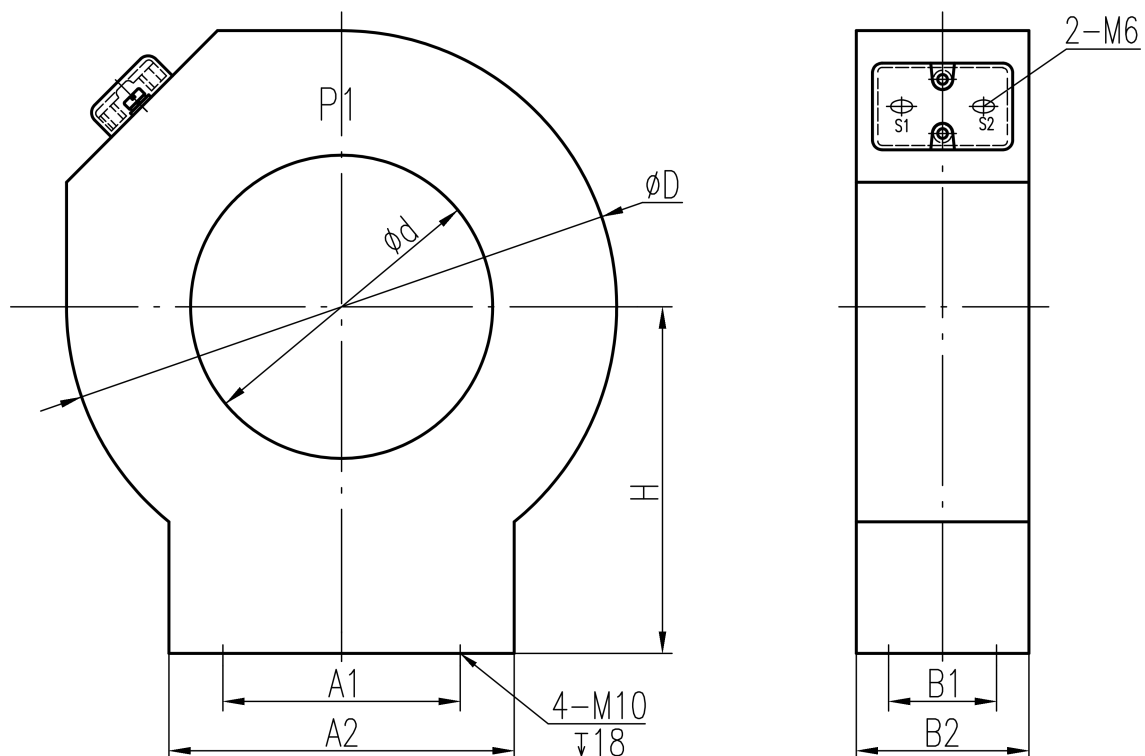
IEC 61869-2 Instrument transformers - Part 2: Additional requirements for current transformers

### Technical Data

Type	Rated transformation ratio(A)	Accuracy class	Rated output (VA)	Rated insulation level(kV)
ECZ-LXZ2-Φ80 ECZ-LXZ2-Φ100 ECZ-LXZ2-Φ120 ECZ-LXZ2-Φ140 ECZ-LXZ2-Φ160 ECZ-LXZ2-Φ180 ECZ-LXZ2-Φ200 ECZ-LXZ2-Φ300	100/1	10P10	5	0.72/3

### Outline Drawing

ECZ-LXZ2 Series



Type	φd	φD	H	A1	A2	B1	B2	Type	φd	φD	H	A1	A2	B1	B2
ECZ-LXZ2-Φ80	80	195	130	80	120	50	80	ECZ-LXZ2-Φ160	160	275	170	140	180	50	80
ECZ-LXZ2-Φ100	100	215	140	80	120	50	80	ECZ-LXZ2-Φ180	180	295	180	160	200	50	80
ECZ-LXZ2-Φ120	120	235	150	100	140	50	80	ECZ-LXZ2-Φ200	200	315	200	180	220	80	115
ECZ-LXZ2-Φ140	140	255	160	120	160	50	80	ECZ-LXZ2-Φ300	300	450	300	200	300	50	105

# ECZ-LXZK2 SERIES

## CURRENT TRANSFORMER



### Standards

IEC 61869-1 Instrument transformers - Part 1: General requirements

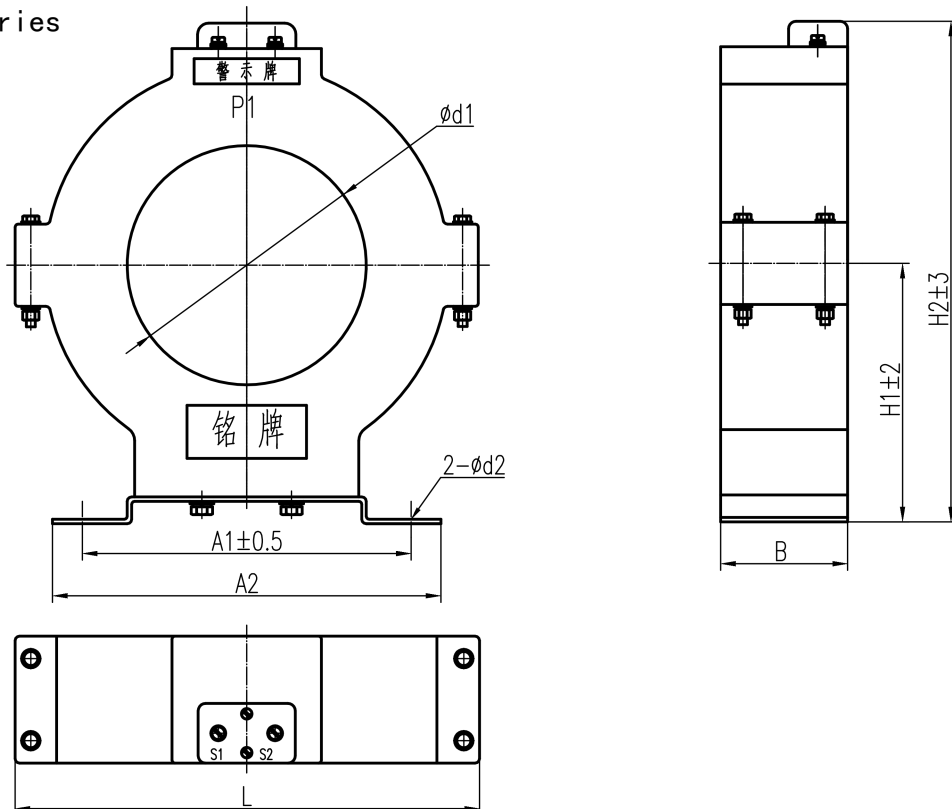
IEC 61869-2 Instrument transformers - Part 2: Additional requirements for current transformers

### Technical Data

Type	Rated transformation ratio(A)	Accuracy class	Rated output (VA)	Rated insulation level(kV)
LXZK2-Φ100X LXZK2-Φ120X LXZK2-Φ140X LXZK2-Φ160X LXZK2-Φ180X LXZK2-Φ250X LXZK2-Φ300X	50/1 100/1	10P10	2 2.5	0.72/3

### Outline Drawing

ECZ-LXZK2 Series



Type	Φd1	Φd2	A1	A2	B	H2	L
ECZ-LXZK2-Φ100X	100	12	160	200	85	257	225
ECZ-LXZK2-Φ120X	120	12	180	220	85	275	260
ECZ-LXZK2-Φ140X	140	12	200	240	85	317	280
ECZ-LXZK2-Φ160X	160	12	220	260	85	334	310
ECZ-LXZK2-Φ180X	180	12	240	280	85	352	330
ECZ-LXZK2-Φ250X	250	13	250	290	90	480	440
ECZ-LXZK2-Φ300X	300	13	300	340	90	535	490

# EVF-3. 6, 7. 2, 12, 17. 5RG1

## VOLTAGE TRANSFORMER



### Standards

IEC 61869-1 Instrument transformers - Part 1: General requirements

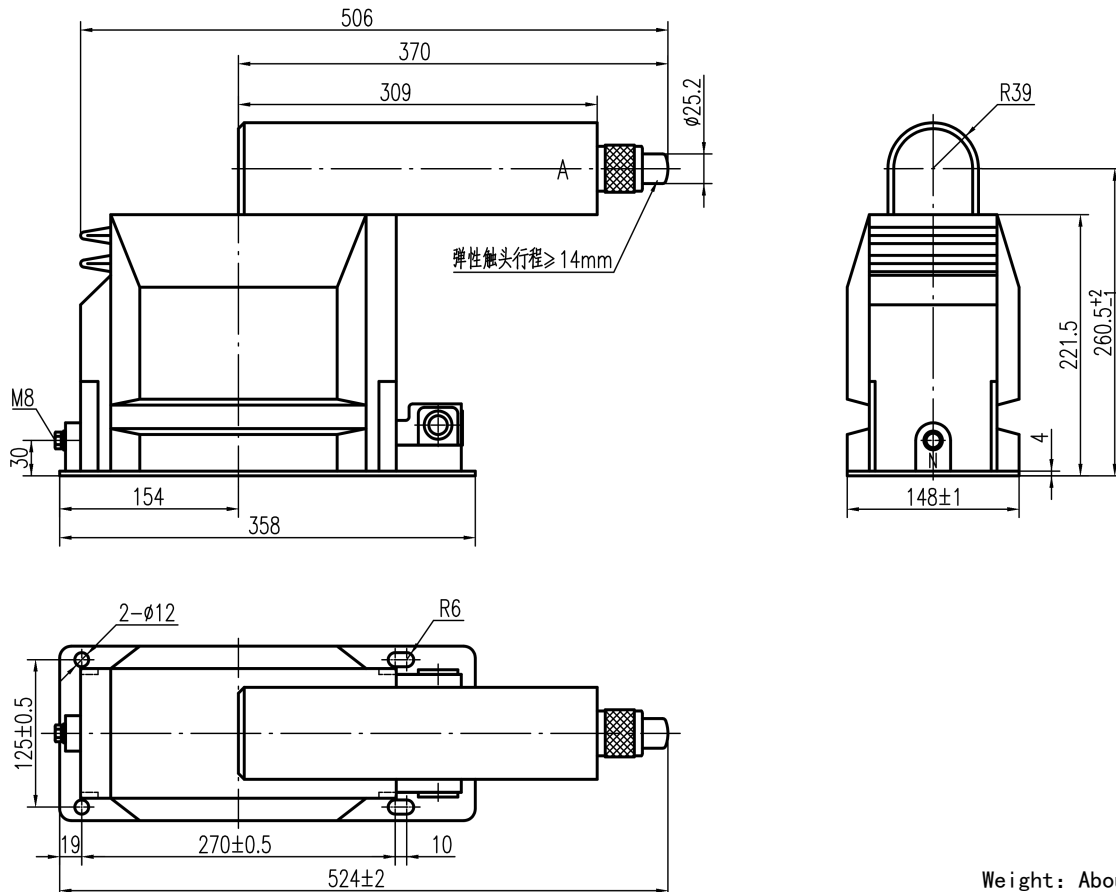
IEC 61869-3 Instrument transformers - Part 3: Additional requirements for inductive voltage transformers

### Technical Data

Type	Rated voltage ratio(kV)	Accuracy classes combination	Rated output (VA)	Thermal limiting output(VA)	Rated insulation level(kV)
EVF-3.6RG1	3/√3/0.1/√3/0.1/3	0.2/6P(3P) 0.5/6P(3P) 1/6P(3P)	20/50 50/50 100/50	300	3.6/10/40
EVF-7.2RG1	6/√3/0.1/√3/0.1/3				7.2/20/60
EVF-12RG1	10/√3/0.1/√3/0.1/3				12/28/75
EVF-3.6RG1	3/√3/0.1/√3/0.1/√3/0.1/3	0.2/0.5/6P(3P) 0.5/0.5/6P(3P)	10/10/50 15/15/50	150	3.6/10/40
EVF-7.2RG1	6/√3/0.1/√3/0.1/√3/0.1/3				7.2/20/60
EVF-12RG1	10/√3/0.1/√3/0.1/√3/0.1/3				12/28/75
EVF-17.5RG1	15/√3/0.1/√3/0.1/3	0.2/6P(3P) 0.5/6P(3P) 1/6P(3P)	10/50 20/50 60/50	150	17.5/38/95

### Outline Drawing

EVF-3. 6, 7. 2, 12, 17. 5RG1



Weight: About 30 kg

# EVF-3. 6, 7. 2, 12, 17. 5RG2

## VOLTAGE TRANSFORMER



### Standards

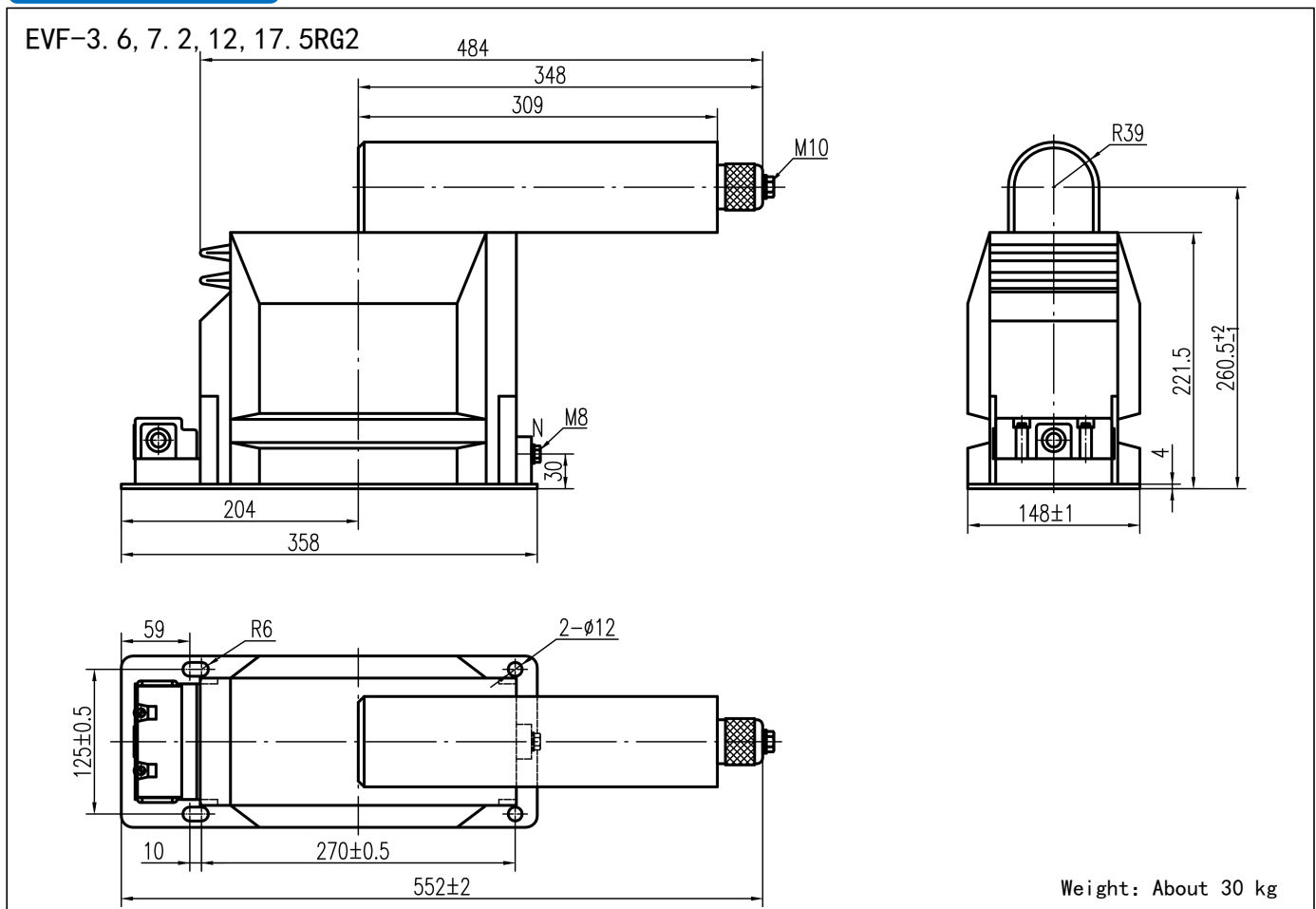
IEC 61869-1 Instrument transformers - Part 1: General requirements

IEC 61869-3 Instrument transformers - Part 3: Additional requirements for inductive voltage transformers

### Technical Data

Type	Rated voltage ratio(kV)	Accuracy classes combination	Rated output (VA)	Thermal limiting output(VA)	Rated insulation level(kV)
EVF-3.6RG2	$3/\sqrt{3}/0.1/\sqrt{3}/0.1/3$	0.2/6P(3P) 0.5/6P(3P) 1/6P(3P)	20/50 50/50 100/50	300	3.6/10/40
EVF-7.2RG2	$6/\sqrt{3}/0.1/\sqrt{3}/0.1/3$				7.2/20/60
EVF-12RG2	$10/\sqrt{3}/0.1/\sqrt{3}/0.1/3$				12/28/75
EVF-3.6RG2	$3/\sqrt{3}/0.1/\sqrt{3}/0.1/\sqrt{3}/0.1/3$	0.2/0.5/6P(3P) 0.5/0.5/6P(3P)	10/10/50 15/15/50	150	3.6/10/40
EVF-7.2RG2	$6/\sqrt{3}/0.1/\sqrt{3}/0.1/\sqrt{3}/0.1/3$				7.2/20/60
EVF-12RG2	$10/\sqrt{3}/0.1/\sqrt{3}/0.1/\sqrt{3}/0.1/3$				12/28/75
EVF-17.5RG2	$15/\sqrt{3}/0.1/\sqrt{3}/0.1/3$	0.2/6P(3P) 0.5/6P(3P) 1/6P(3P)	10/50 20/50 60/50	150	17.5/38/95

### Outline Drawing



# EVF-3. 6, 7. 2, 12, 17. 5RG2M

## VOLTAGE TRANSFORMER



### Standards

IEC 61869-1 Instrument transformers - Part 1: General requirements

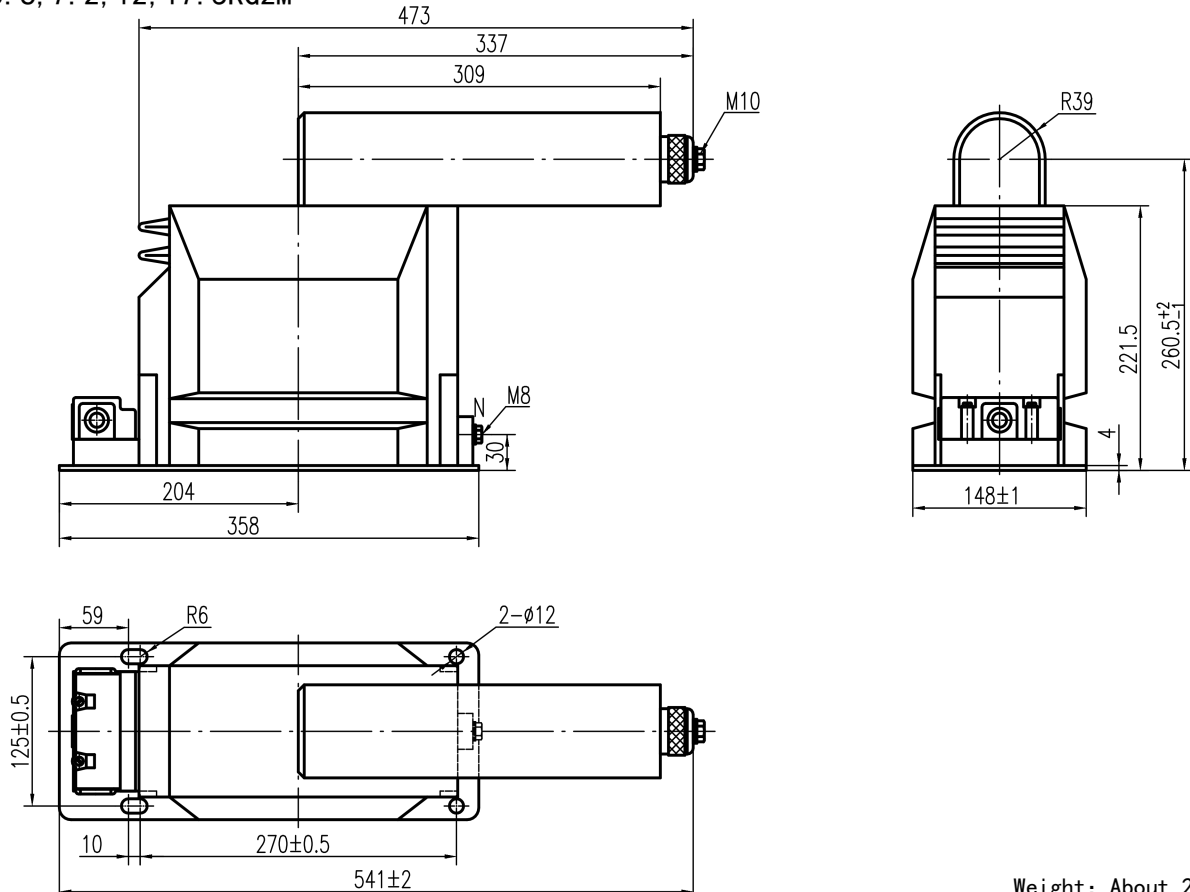
IEC 61869-3 Instrument transformers - Part 3: Additional requirements for inductive voltage transformers

### Technical Data

Type	Rated voltage ratio(kV)	Accuracy classes combination	Rated output (VA)	Thermal limiting output(VA)	Rated insulation level(kV)
EVF-3.6RG2M	$3/\sqrt{3}/0.1/\sqrt{3}/0.1/3$	0.2/6P(3P) 0.5/6P(3P) 1/6P(3P)	20/50 50/50 100/50	300	3.6/10/40
EVF-7.2RG2M	$6/\sqrt{3}/0.1/\sqrt{3}/0.1/3$				7.2/20/60
EVF-12RG2M	$10/\sqrt{3}/0.1/\sqrt{3}/0.1/3$				12/28/75
EVF-3.6RG2M	$3/\sqrt{3}/0.1/\sqrt{3}/0.1/\sqrt{3}/0.1/3$	0.2/0.5/6P(3P) 0.5/0.5/6P(3P)	10/10/50 15/15/50	150	3.6/10/40
EVF-7.2RG2M	$6/\sqrt{3}/0.1/\sqrt{3}/0.1/\sqrt{3}/0.1/3$				7.2/20/60
EVF-12RG2M	$10/\sqrt{3}/0.1/\sqrt{3}/0.1/\sqrt{3}/0.1/3$				12/28/75
EVF-17.5RG2M	$15/\sqrt{3}/0.1/\sqrt{3}/0.1/3$	0.2/6P(3P) 0.5/6P(3P) 1/6P(3P)	10/50 20/50 60/50	150	17.5/38/95

### Outline Drawing

EVF-3. 6, 7. 2, 12, 17. 5RG2M



Weight: About 26 kg

# EVP-3. 6, 7. 2, 12, 17. 5G1

## VOLTAGE TRANSFORMER

### Standards

IEC 61869-1 Instrument transformers - Part 1: General requirements

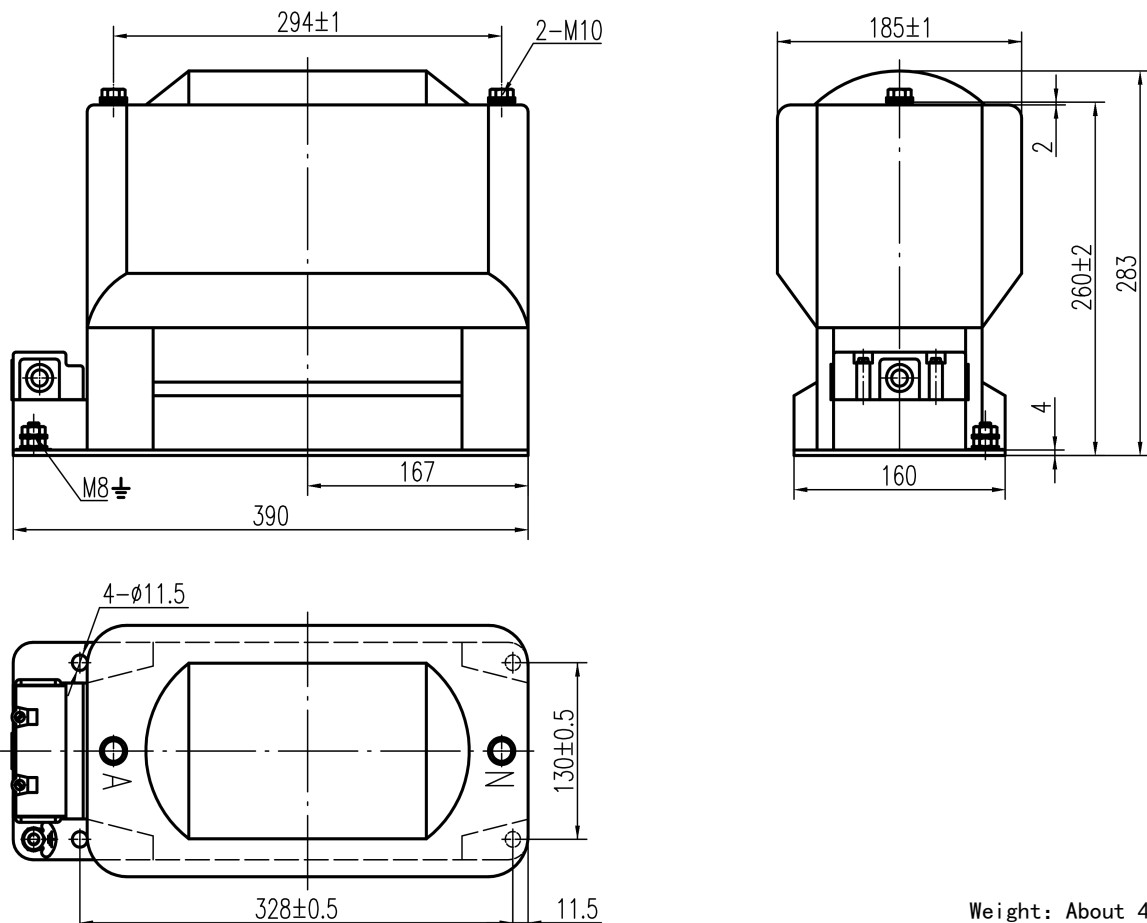
IEC 61869-3 Instrument transformers - Part 3: Additional requirements for inductive voltage transformers

### Technical Data

Type	Rated voltage ratio(kV)	Accuracy classes combination	Rated output (VA)	Thermal limiting output(VA)	Rated insulation level(kV)
EVP-3.6G1	3/√3/0.1/√3/0.1/3	0.2/6P(3P)	70/100	600	3.6/10/40
EVP-7.2G1	6/√3/0.1/√3/0.1/3	0.5/6P(3P)	150/100		7.2/20/60
EVP-12G1	10/√3/0.1/√3/0.1/3	1/6P(3P)	300/100		12/28/75
EVP-17.5G1	15/√3/0.1/√3/0.1/3	0.2/6P(3P) 0.5/6P(3P) 1/6P(3P)	30/100 50/100 100/100	300	17.5/38/95
EVP-3.6G1	3/√3/0.1/√3/0.1/√3/0.1/3	0.2/0.2/6P(3P)	30/30/100	300	3.6/10/40
EVP-7.2G1	6/√3/0.1/√3/0.1/√3/0.1/3	0.2/0.5/6P(3P)	40/40/100		7.2/20/60
EVP-12G1	10/√3/0.1/√3/0.1/√3/0.1/3	0.5/0.5/6P(3P)	80/80/100		12/28/75
EVP-17.5G1	15/√3/0.1/√3/0.1/√3/0.1/3	0.2/0.2/6P(3P) 0.2/0.5/6P(3P) 0.5/0.5/6P(3P)	10/10/100 20/20/100 40/40/100	150	17.5/38/95

### Outline Drawing

EVP-3. 6, 7. 2, 12, 17. 5G1



Weight: About 48 kg

# EVP-12, 17.5C1

## VOLTAGE TRANSFORMER



### Standards

IEC 61869-1 Instrument transformers - Part 1: General requirements

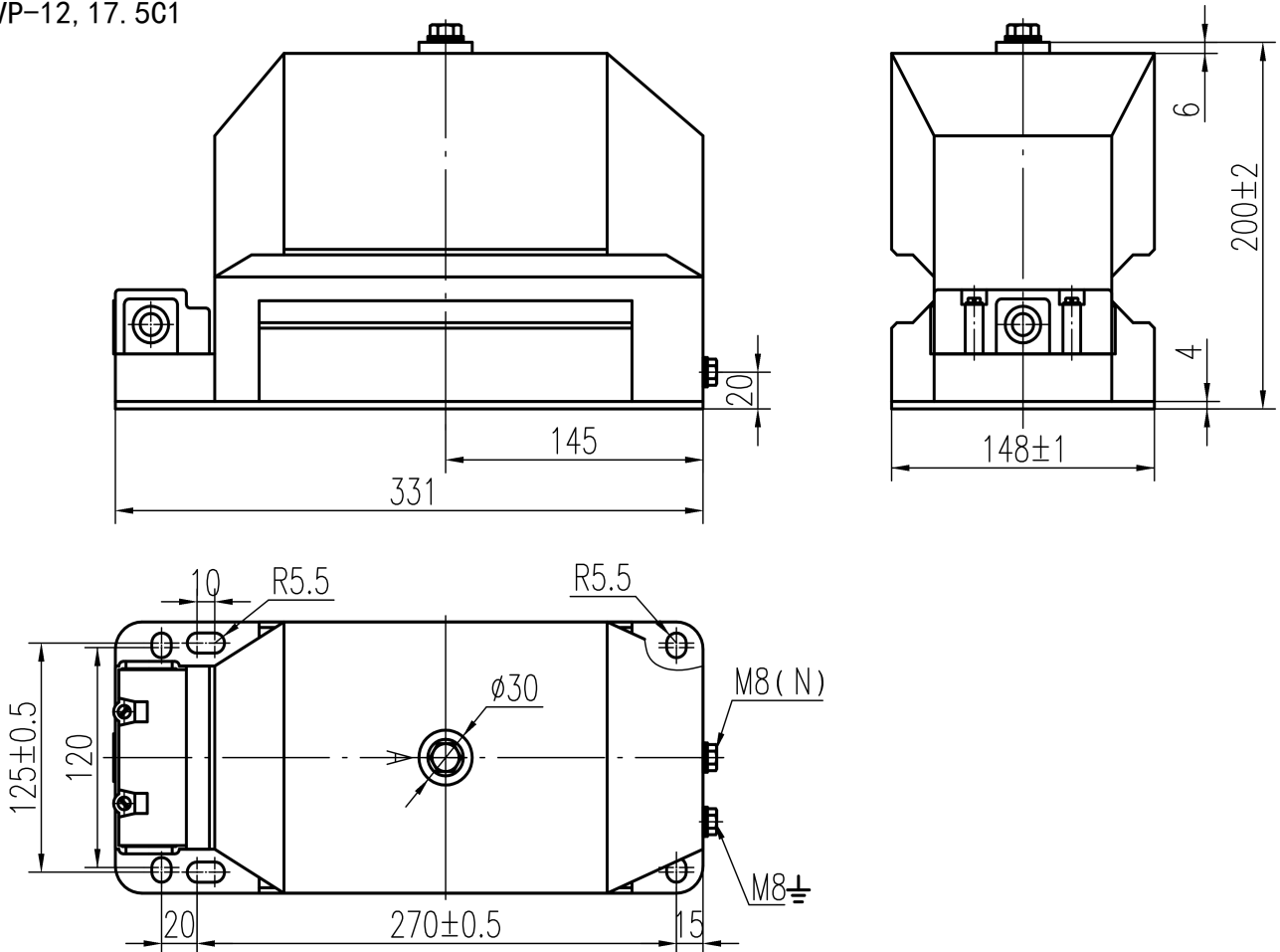
IEC 61869-3 Instrument transformers - Part 3: Additional requirements for inductive voltage transformers

### Technical Data

Type	Rated voltage ratio(kV)	Accuracy classes combination	Rated output (VA)	Thermal limiting output(VA)	Rated insulation level(kV)
EVP-12C1	10/√3/0.1/√3/0.1/3	0.2/6P(3P) 0.5/6P(3P) 1/6P(3P)	15/50 30/50 60/50	150	12/28/75
EVP-17.5C1	15/√3/0.1/√3/0.1/3	0.5/6P(3P) 1/6P(3P)	15/50 30/50	150	17.5/38/95

### Outline Drawing

EVP-12, 17.5C1



Weight: About 22 kg



# EVF-3. 6, 7. 2, 12R

## VOLTAGE TRANSFORMER

### Standards

IEC 61869-1 Instrument transformers - Part 1: General requirements

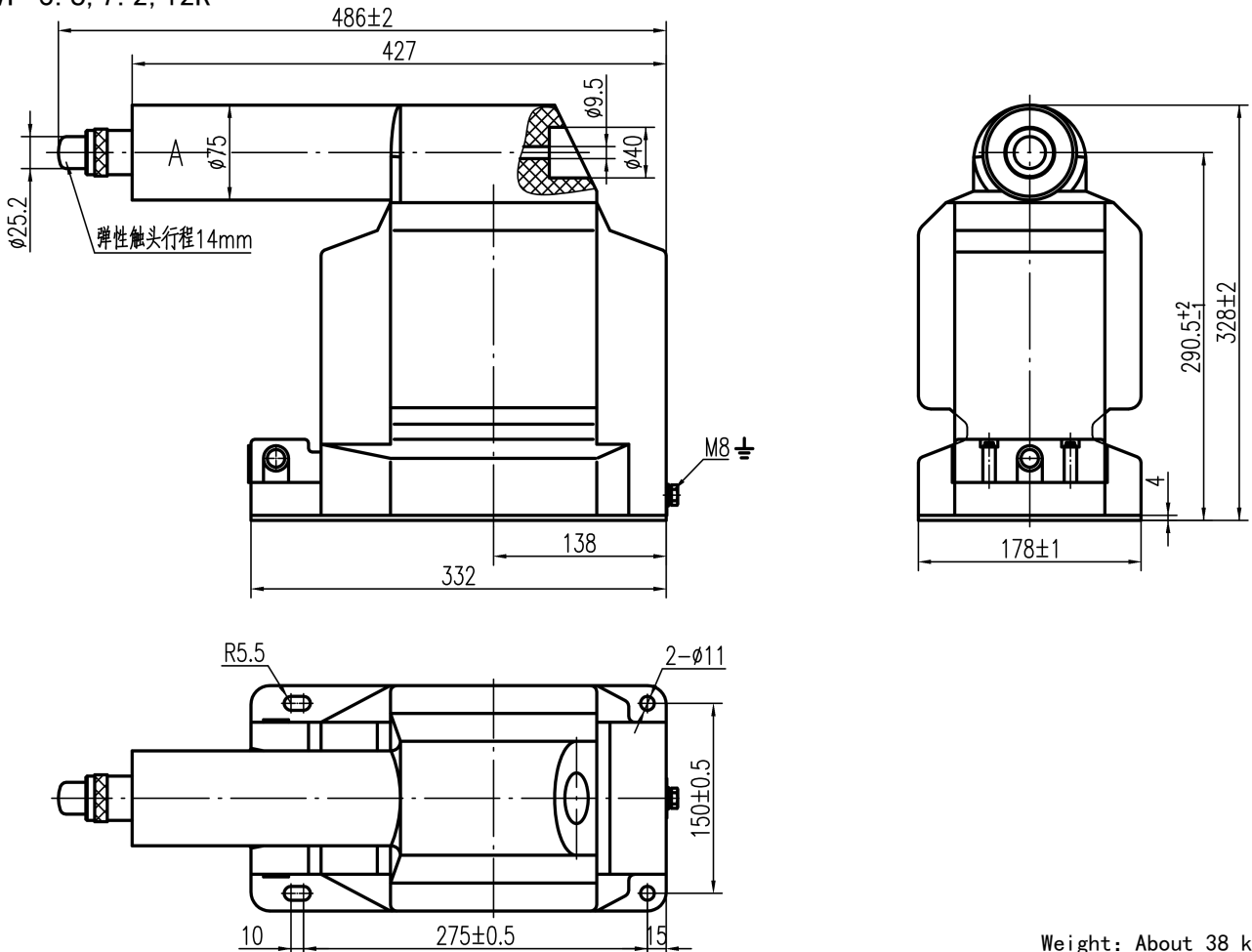
IEC 61869-3 Instrument transformers - Part 3: Additional requirements for inductive voltage transformers

### Technical Data

Type	Rated voltage ratio(kV)	Accuracy classes combination	Rated output (VA)	Thermal limiting output (VA)	Rated insulation level(kV)
EVF-3.6R	3/√3/0.1/√3/0.1/3	0.2/6P(3P) 0.5/6P(3P) 1/6P(3P)	30/100 80/100 150/100	400	3.6/10/40
EVF-7.2R	6/√3/0.1/√3/0.1/3				7.2/20/60
EVF-12R	10/√3/0.1/√3/0.1/3				12/28/75
EVF-3.6R	3/√3/0.1/√3/0.1/√3/0.1/3	0.2/0.5/6P(3P) 0.5/0.5/6P(3P)	20/30/100 40/40/100	300	3.6/10/40
EVF-7.2R	6/√3/0.1/√3/0.1/√3/0.1/3				7.2/20/60
EVF-12R	10/√3/0.1/√3/0.1/√3/0.1/3				12/28/75

### Outline Drawing

EVF-3. 6, 7. 2, 12R



Weight: About 38 kg

# EVF-3. 6, 7. 2, 12R2

## VOLTAGE TRANSFORMER



### Standards

IEC 61869-1 Instrument transformers - Part 1: General requirements

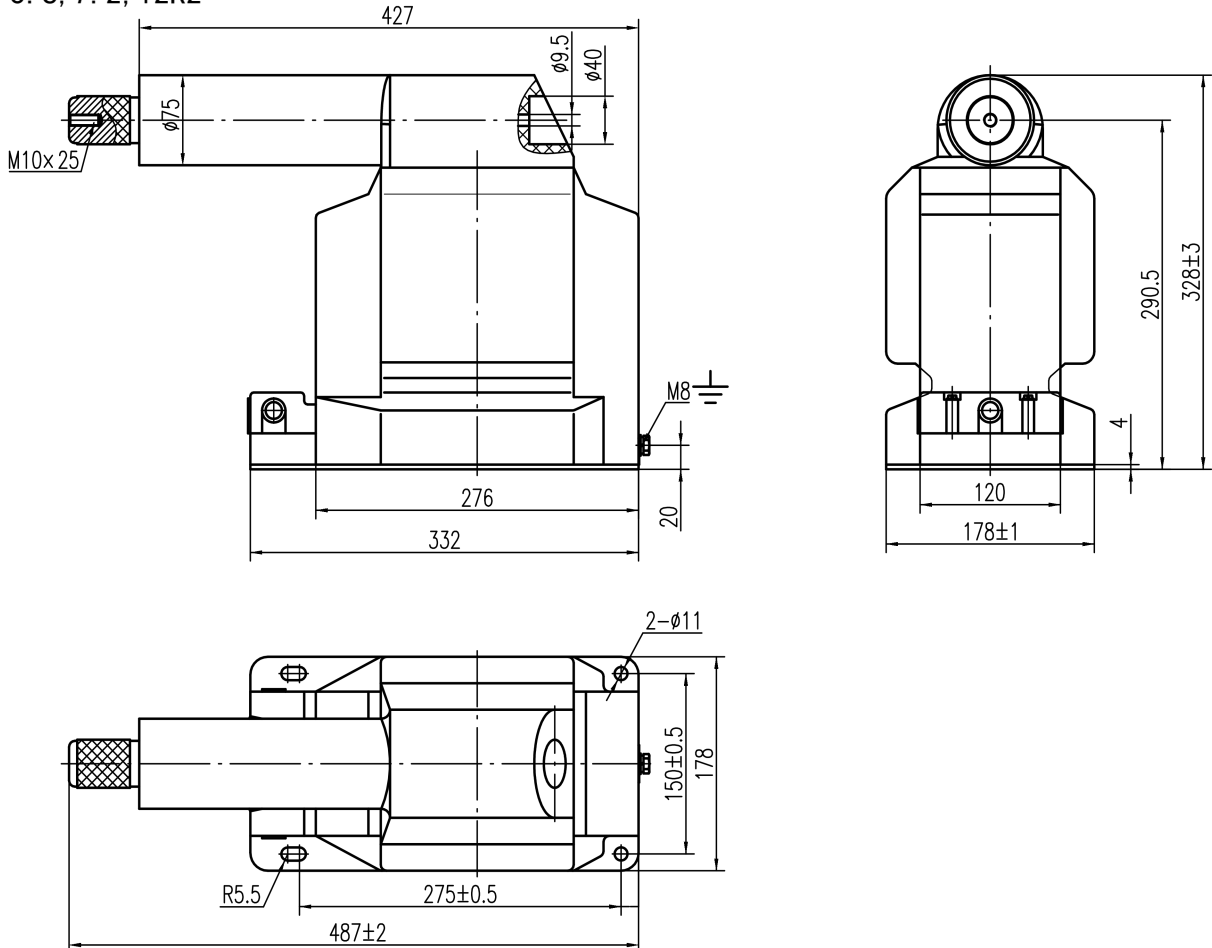
IEC 61869-3 Instrument transformers - Part 3: Additional requirements for inductive voltage transformers

### Technical Data

Type	Rated voltage ratio(kV)	Accuracy classes combination	Rated output (VA)	Thermal limiting output (VA)	Rated insulation level (kV)
EVF-3.6R2	3/√3/0.1/√3/0.1/3	0.2/6P(3P) 0.5/6P(3P) 1/6P(3P)	30/100	400	3.6/10/40
EVF-7.2R2	6/√3/0.1/√3/0.1/3		80/100		7.2/20/60
EVF-12R2	10/√3/0.1/√3/0.1/3		150/100		12/28/75
EVF-3.6R2	3/√3/0.1/√3/0.1/√3/0.1/3	0.2/0.5/6P(3P) 0.5/0.5/6P(3P)	20/30/100	300	3.6/10/40
EVF-7.2R2	6/√3/0.1/√3/0.1/√3/0.1/3		40/40/100		7.2/20/60
EVF-12R2	10/√3/0.1/√3/0.1/√3/0.1/3				12/28/75

### Outline Drawing

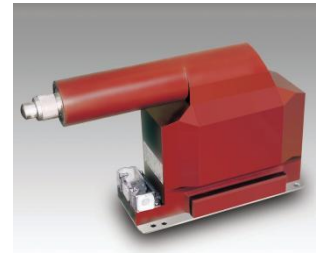
EVF-3. 6, 7. 2, 12R2



Weight: About 38 kg

# EVF-3. 6, 7. 2, 12, 17. 5C

## VOLTAGE TRANSFORMER



### Standards

IEC 61869-1 Instrument transformers - Part 1: General requirements

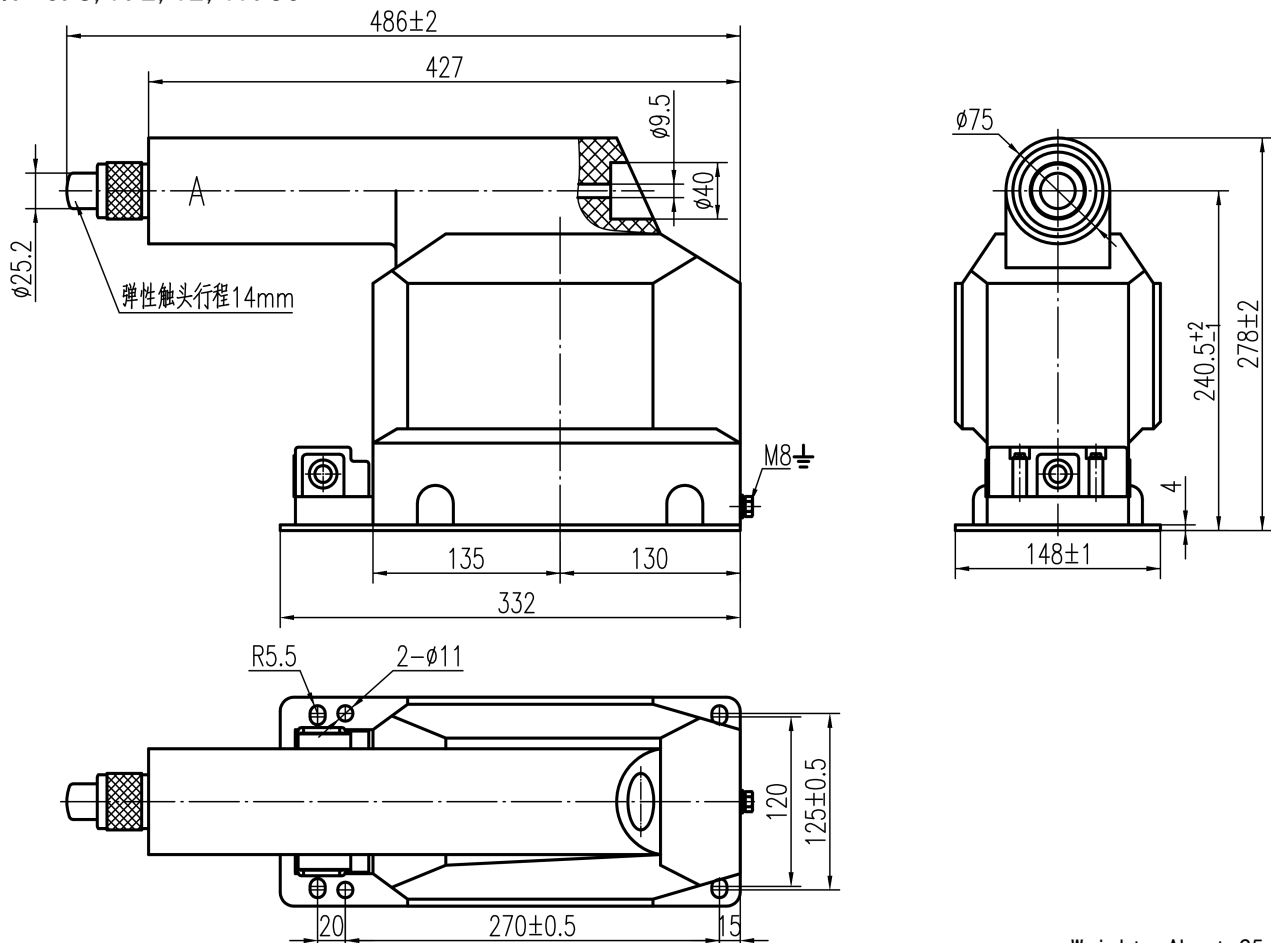
IEC 61869-3 Instrument transformers - Part 3: Additional requirements for inductive voltage transformers

### Technical Data

Type	Rated voltage ratio(kV)	Accuracy classes combination	Rated output (VA)	Thermal limiting output (VA)	Rated insulation level (kV)
EVF-3.6C	3/√3/0.1/√3/0.1/3	0.2/6P(3P)	25/50	150	3.6/10/40
EVF-7.2C	6/√3/0.1/√3/0.1/3	0.5/6P(3P)	75/50		7.2/20/60
EVF-12C	10/√3/0.1/√3/0.1/3	1/6P(3P)	50/50		12/28/75
EVF-17.5C	15/√3/0.1/√3/0.1/3	0.2/6P(3P) 0.5/6P(3P) 1/6P(3P)	10/50 30/50 50/50	150	17.5/38/95

### Outline Drawing

EVF-3. 6, 7. 2, 12, 17. 5C



Weight: About 25 kg

# EVF-3. 6, 7. 2, 12, 17. 5C2

## VOLTAGE TRANSFORMER

### Standards

IEC 61869-1 Instrument transformers - Part 1: General requirements

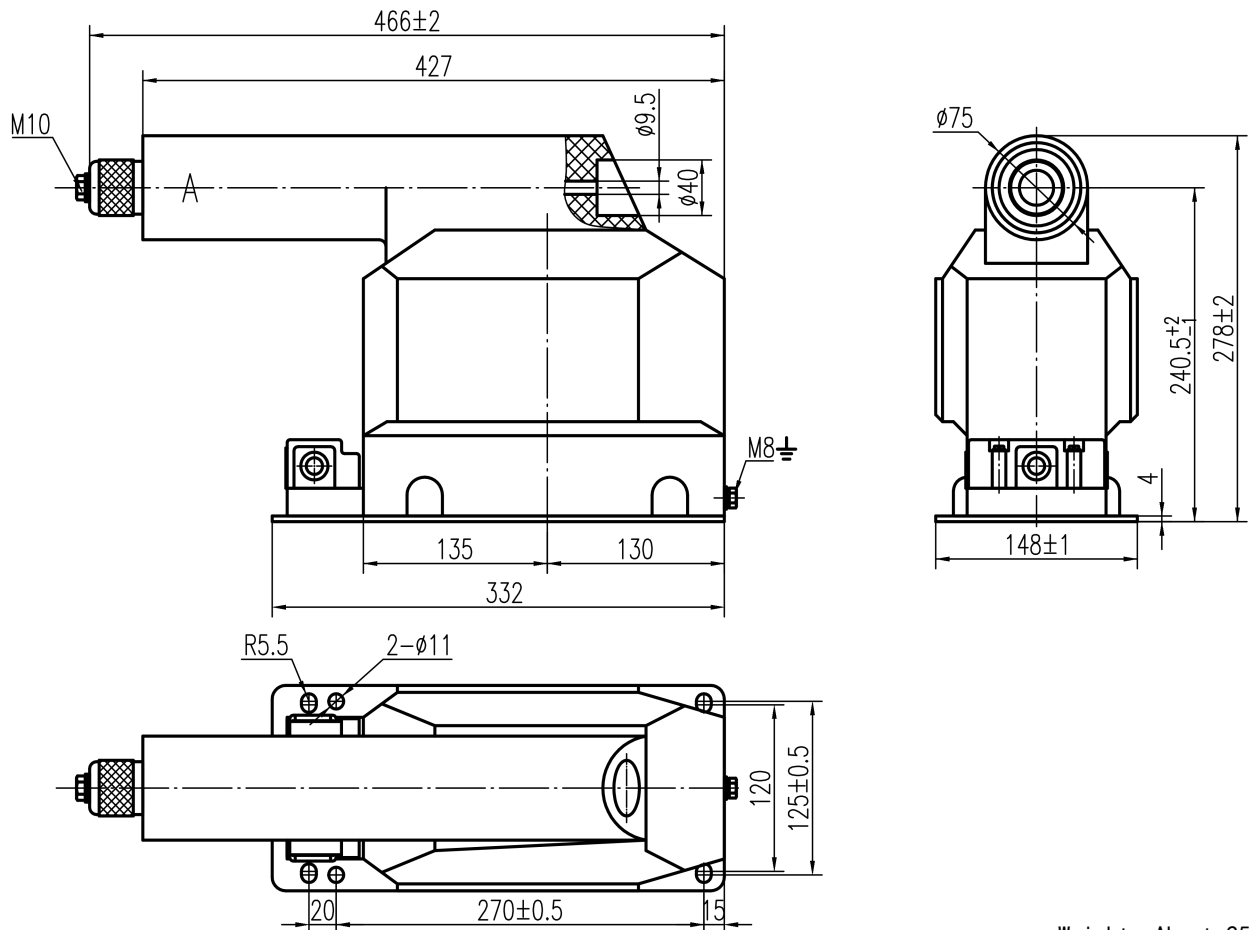
IEC 61869-3 Instrument transformers - Part 3: Additional requirements for inductive voltage transformers

### Technical Data

Type	Rated voltage ratio(kV)	Accuracy classes combination	Rated output (VA)	Thermal limiting output (VA)	Rated insulation level (kV)
EVF-3.6C2	3/√3/0.1/√3/0.1/3	0.2/6P(3P)	25/50	150	3.6/10/40
EVF-7.2C2	6/√3/0.1/√3/0.1/3	0.5/6P(3P)	75/50		7.2/20/60
EVF-12C2	10/√3/0.1/√3/0.1/3	1/6P(3P)	50/50		12/28/75
EVF-17.5C2	15/√3/0.1/√3/0.1/3	0.2/6P(3P) 0.5/6P(3P) 1/6P(3P)	10/50 30/50 50/50	150	17.5/38/95

### Outline Drawing

EVF-3. 6, 7. 2, 12, 17. 5C2



Weight: About 25 kg

# EVF-24-15, 20R

## VOLTAGE TRANSFORMER

### Standards

IEC 61869-1 Instrument transformers - Part 1: General requirements

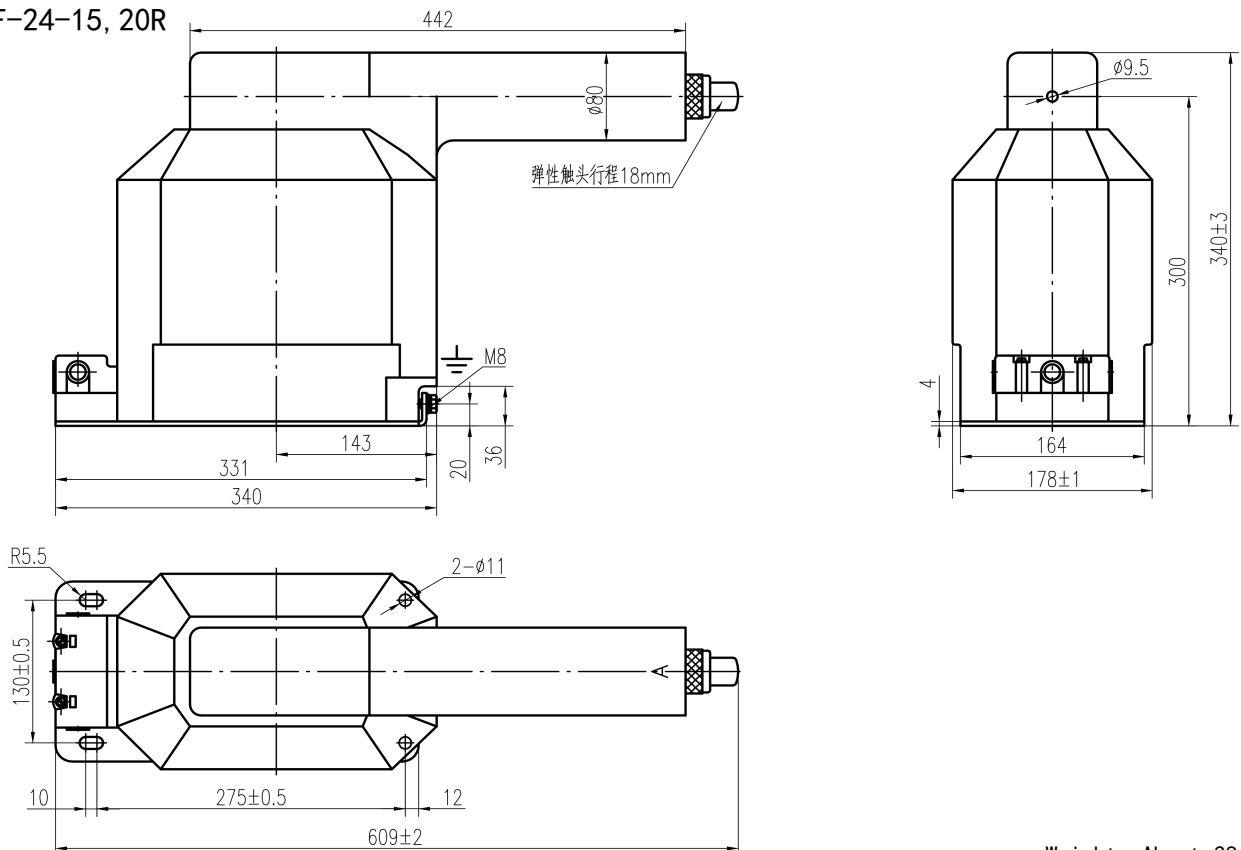
IEC 61869-3 Instrument transformers - Part 3: Additional requirements for inductive voltage transformers

### Technical Data

Type	Rated voltage ratio(kV)	Accuracy classes combination	Rated output (VA)	Thermal limiting output (VA)	Rated insulation level (kV)
EVF-24-15R	15/√3/0.1/√3/0.1/3 15/√3/0.11/√3/0.11/3	0.2/3P 0.5/3P 1/3P	20/100 100/100 150/100	400	17.5/38/95
	15/√3/0.1/√3/0.1/√3/0.1/3 15/√3/0.11/√3/0.11/√3/0.11/3	0.2/0.5/3P 0.5/0.5/3P	15/15/100 20/20/100	200	
EVF-24-20R	20/√3/0.1/√3/0.1/3 22/√3/0.1/√3/0.1/3 20/√3/0.11/√3/0.11/3 22/√3/0.12/√3/0.12/3	0.2/3P 0.5/3P 1/3P	20/100 100/100 150/100	400	24/50/125
	20/√3/0.1/√3/0.1/√3/0.1/3 22/√3/0.1/√3/0.1/√3/0.1/3 20/√3/0.11/√3/0.11/√3/0.11/3 22/√3/0.11/√3/0.11/√3/0.11/3	0.2/0.5/3P 0.5/0.5/3P	15/15/100 20/20/100	200	

### Outline Drawing

EVF-24-15, 20R



Weight: About 38 kg

# EVF-24-15, 20R4

## VOLTAGE TRANSFORMER



### Standards

IEC 61869-1 Instrument transformers - Part 1: General requirements

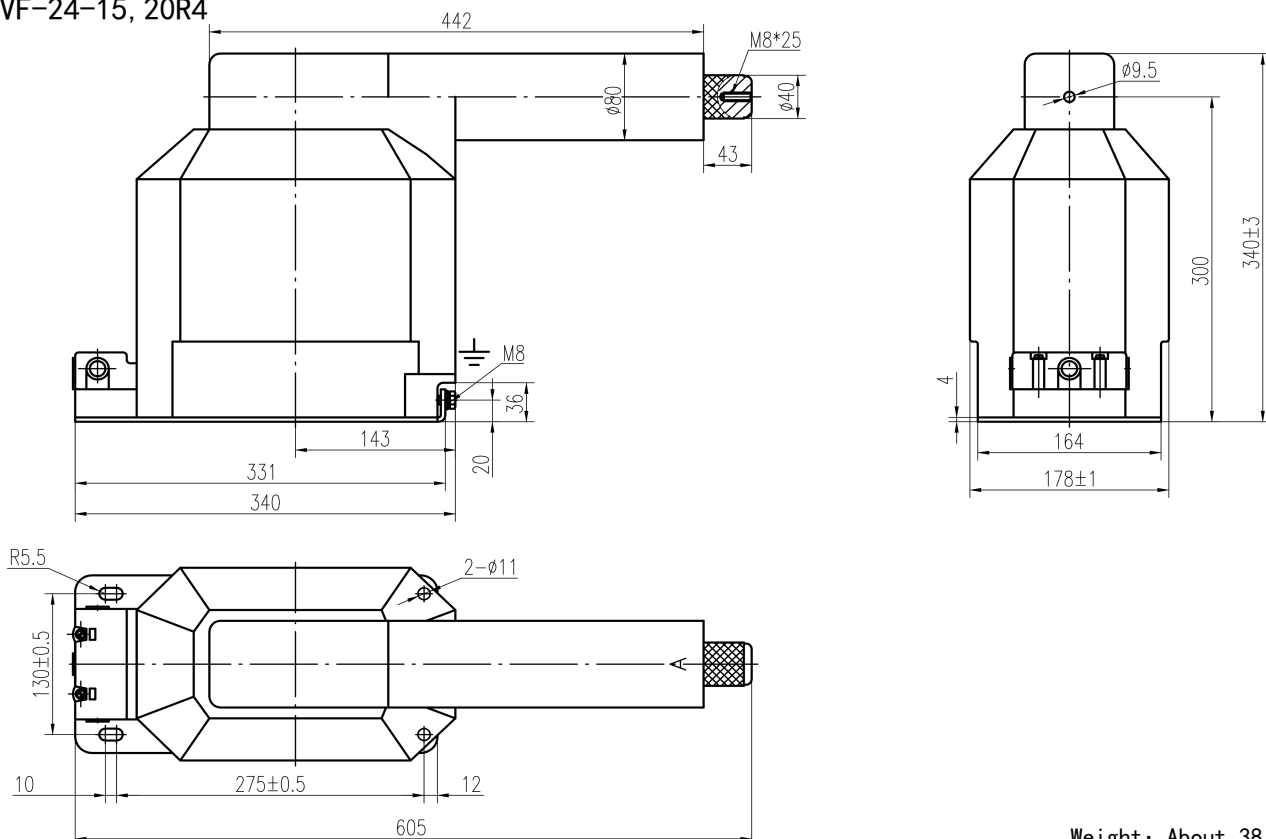
IEC 61869-3 Instrument transformers - Part 3: Additional requirements for inductive voltage transformers

### Technical Data

Type	Rated voltage ratio(kV)	Accuracy classes combination	Rated output (VA)	Thermal limiting output (VA)	Rated insulation level (kV)
EVF-24-15R4	15/√3/0.1/√3/0.1/3 15/√3/0.11/√3/0.11/3	0.2/3P 0.5/3P 1/3P	20/100 100/100 150/100	400	17.5/38/95
	15/√3/0.1/√3/0.1/√3/0.1/3 15/√3/0.11/√3/0.11/√3/0.11/3	0.2/0.5/3P 0.5/0.5/3P	15/15/100 20/20/100	200	
EVF-24-20R4	20/√3/0.1/√3/0.1/3 22/√3/0.1/√3/0.1/3 20/√3/0.11/√3/0.11/3 22/√3/0.12/√3/0.12/3	0.2/3P 0.5/3P 1/3P	20/100 100/100 150/100	400	24/50/125
	20/√3/0.1/√3/0.1/√3/0.1/3 22/√3/0.1/√3/0.1/√3/0.1/3 20/√3/0.11/√3/0.11/√3/0.11/3 22/√3/0.11/√3/0.11/√3/0.11/3	0.2/0.5/3P 0.5/0.5/3P	15/15/100 20/20/100	200	

### Outline Drawing

EVF-24-15, 20R4



Weight: About 38 kg

# EVF-24-15, 20R6

## VOLTAGE TRANSFORMER



### Standards

IEC 61869-1 Instrument transformers - Part 1: General requirements

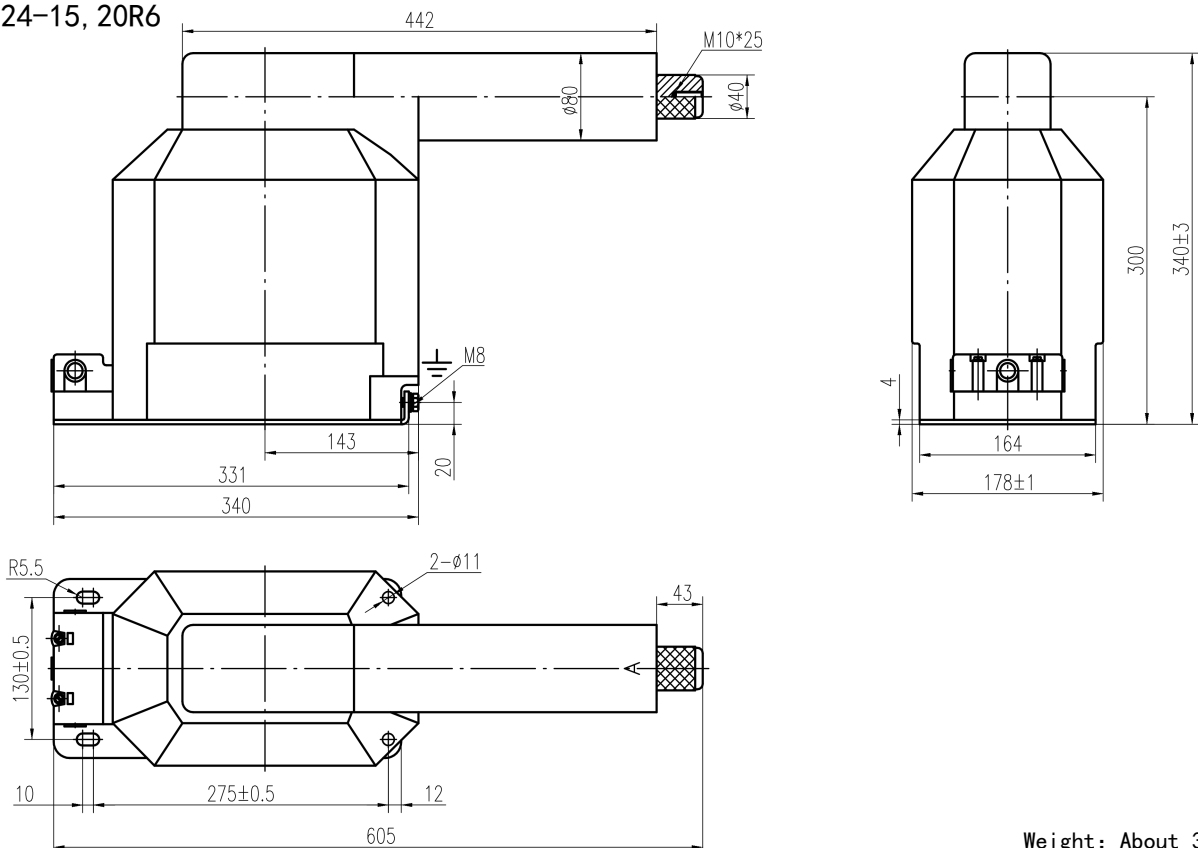
IEC 61869-3 Instrument transformers - Part 3: Additional requirements for inductive voltage transformers

### Technical Data

Type	Rated voltage ratio(kV)	Accuracy classes combination	Rated output (VA)	Thermal limiting output (VA)	Rated insulation level (kV)
EVF-24-15R6	15/√3/0.1/√3/0.1/3 15/√3/0.11/√3/0.11/3	0.2/3P 0.5/3P 1/3P	20/100 100/100 150/100	400	17.5/38/95
	15/√3/0.1/√3/0.1/√3/0.1/3 15/√3/0.11/√3/0.11/√3/0.11/3	0.2/0.5/3P 0.5/0.5/3P	15/15/100 20/20/100	200	
EVF-24-20R6	20/√3/0.1/√3/0.1/3 22/√3/0.1/√3/0.1/3 20/√3/0.11/√3/0.11/3 22/√3/0.12/√3/0.12/3	0.2/3P 0.5/3P 1/3P	20/100 100/100 150/100	400	24/50/125
	20/√3/0.1/√3/0.1/√3/0.1/3 22/√3/0.1/√3/0.1/√3/0.1/3 20/√3/0.11/√3/0.11/√3/0.11/3 22/√3/0.11/√3/0.11/√3/0.11/3	0.2/0.5/3P 0.5/0.5/3P	15/15/100 20/20/100	200	

### Outline Drawing

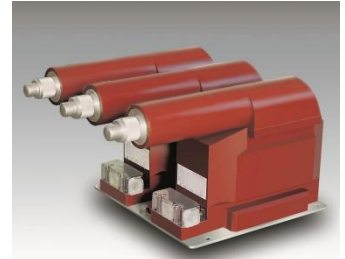
EVF-24-15, 20R6



Weight: About 38 kg

# EVF-S-3. 6, 7. 2, 12, 17. 5C1

## VOLTAGE TRANSFORMER



### Standards

IEC 61869-1 Instrument transformers - Part 1: General requirements

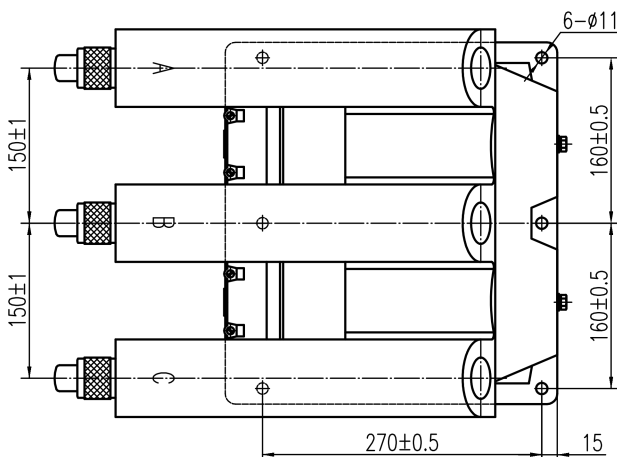
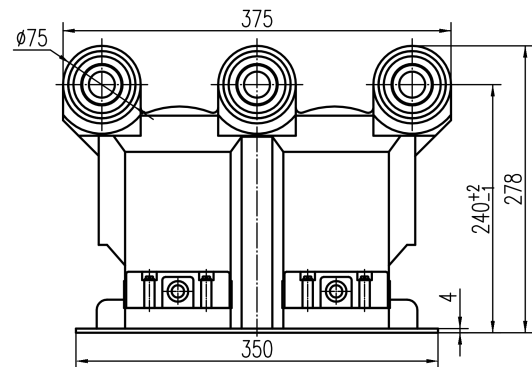
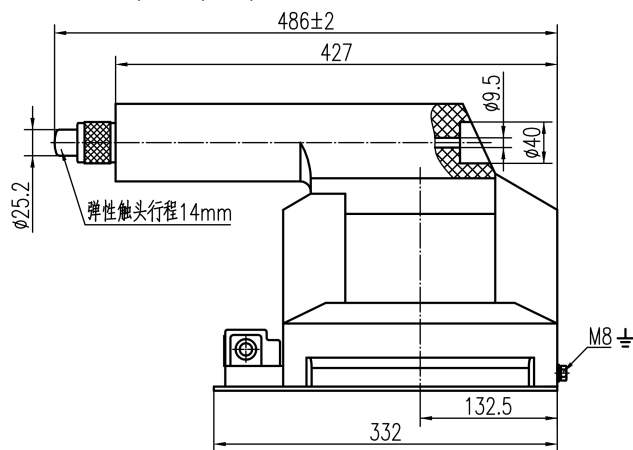
IEC 61869-3 Instrument transformers - Part 3: Additional requirements for inductive voltage transformers

### Technical Data

Type	Rated voltage ratio(kV)	Accuracy class or accuracy classes combination	Rated output (VA)	Thermal limiting output(VA)	Rated insulation level(kV)
EVF-S-3.6C1	3/0.1	0.2 0.5 1	15 30 50	150	3.6/10/40
EVF-S-7.2C1	6/0.1				7.2/20/60
EVF-S-12C1	10/0.1				12/28/75
EVF-S-17.5C1	17.5/0.1				17.5/38/95
EVF-S-3.6C1	3/0.1/0.1	0.2/0.2 0.2/0.5 0.5/0.5	10/10 10/15 15/15	150	3.6/10/40
EVF-S-7.2C1	6/0.1/0.1				7.2/20/60
EVF-S-12C1	10/0.1/0.1				12/28/75
EVF-S-17.5C1	17.5/0.1/0.1				17.5/38/95

### Outline Drawing

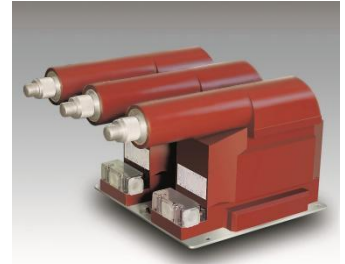
EVF-S-3. 6, 7. 2, 12, 17. 5C1



Weight: About 55 kg

# EVF-S-3. 6, 7. 2, 12, 17. 5C2

## VOLTAGE TRANSFORMER



### Standards

IEC 61869-1 Instrument transformers - Part 1: General requirements

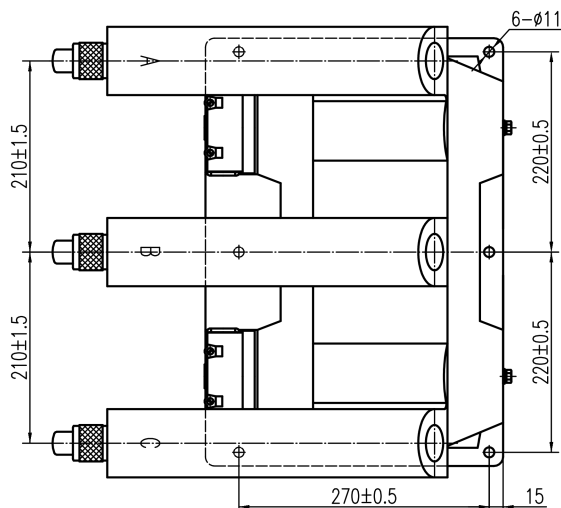
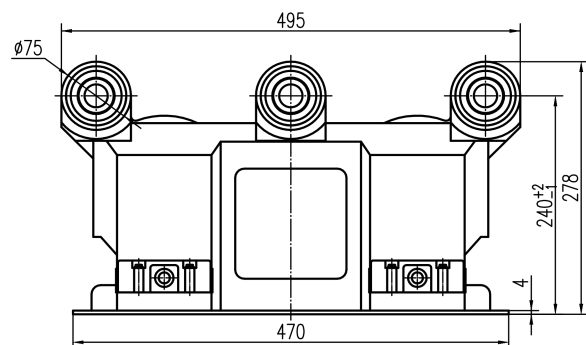
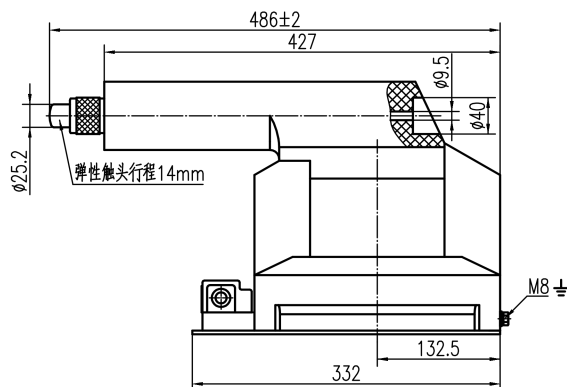
IEC 61869-3 Instrument transformers - Part 3: Additional requirements for inductive voltage transformers

### Technical Data

Type	Rated voltage ratio(kV)	Accuracy class or accuracy classes combination	Rated output (VA)	Thermal limiting output(VA)	Rated insulation level(kV)
EVF-S-3.6C2	3/0.1	0.2 0.5 1	15 30 50	150	3.6/10/40
EVF-S-7.2C2	6/0.1				7.2/20/60
EVF-S-12C2	10/0.1				12/28/75
EVF-S-17.5C2	17.5/0.1				17.5/38/95
EVF-S-3.6C2	3/0.1/0.1	0.2/0.2 0.2/0.5 0.5/0.5	10/10 10/15 15/15	150	3.6/10/40
EVF-S-7.2C2	6/0.1/0.1				7.2/20/60
EVF-S-12C2	10/0.1/0.1				12/28/75
EVF-S-17.5C2	17.5/0.1/0.1				17.5/38/95

### Outline Drawing

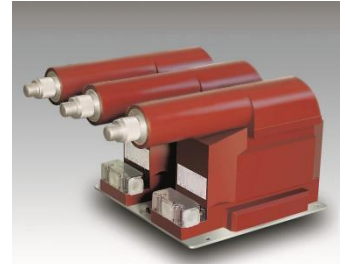
EVF-S-3. 6, 7. 2, 12, 17. 5C2



Weight: About 58 kg

# EVF-S-3. 6, 7. 2, 12, 17. 5C3

## VOLTAGE TRANSFORMER



### Standards

IEC 61869-1 Instrument transformers - Part 1: General requirements

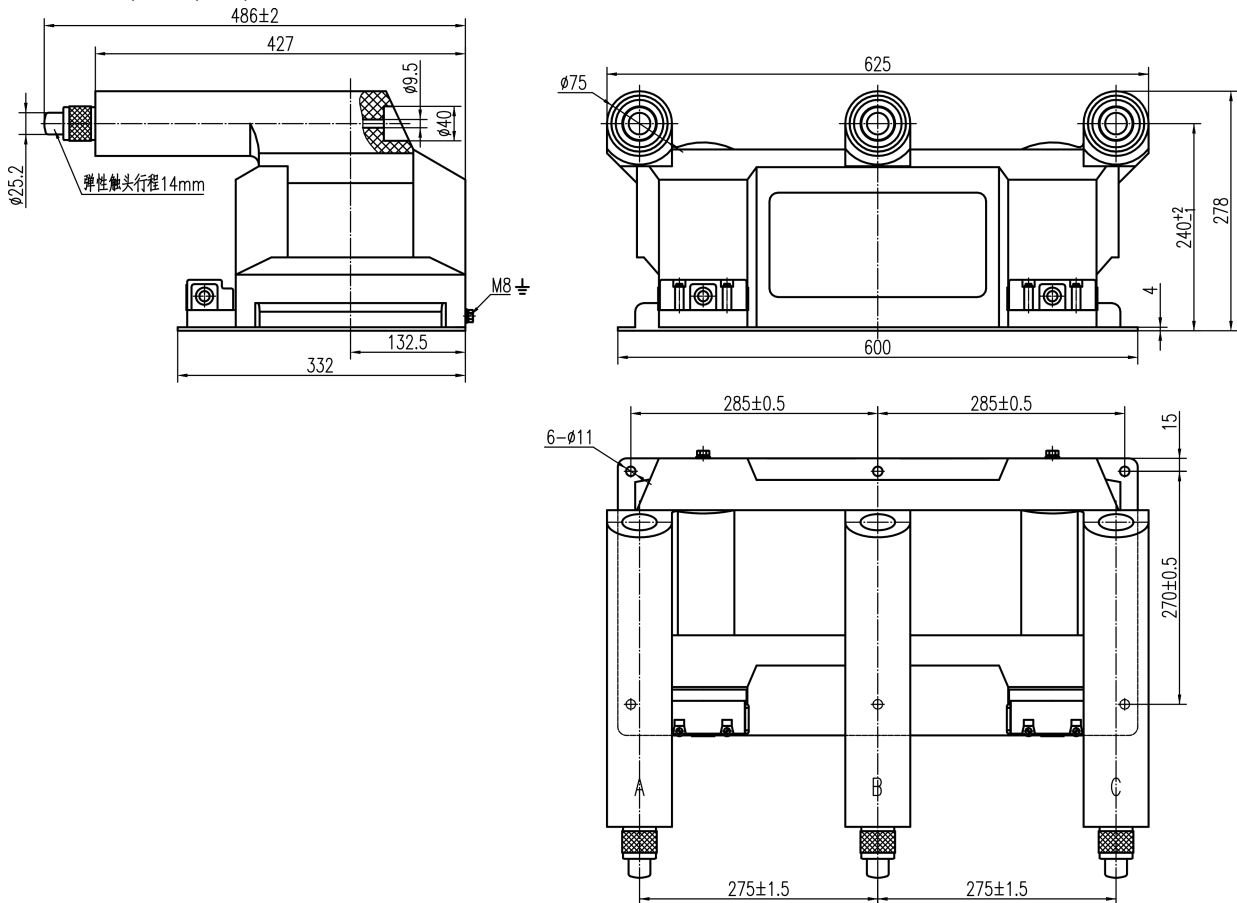
IEC 61869-3 Instrument transformers - Part 3: Additional requirements for inductive voltage transformers

### Technical Data

Type	Rated voltage ratio(kV)	Accuracy class or accuracy classes combination	Rated output (VA)	Thermal limiting output(VA)	Rated insulation level(kV)
EVF-S-3.6C3	3/0.1	0.2 0.5 1	15 30 50	150	3.6/10/40
EVF-S-7.2C3	6/0.1				7.2/20/60
EVF-S-12C3	10/0.1				12/28/75
EVF-S-17.5C3	17.5/0.1				17.5/38/95
EVF-S-3.6C3	3/0.1/0.1	0.2/0.2 0.2/0.5 0.5/0.5	10/10 10/15 15/15	150	3.6/10/40
EVF-S-7.2C3	6/0.1/0.1				7.2/20/60
EVF-S-12C3	10/0.1/0.1				12/28/75
EVF-S-17.5C3	17.5/0.1/0.1				17.5/38/95

### Outline Drawing

EVF-S-3. 6, 7. 2, 12, 17. 5C3



Weight: About 60 kg