

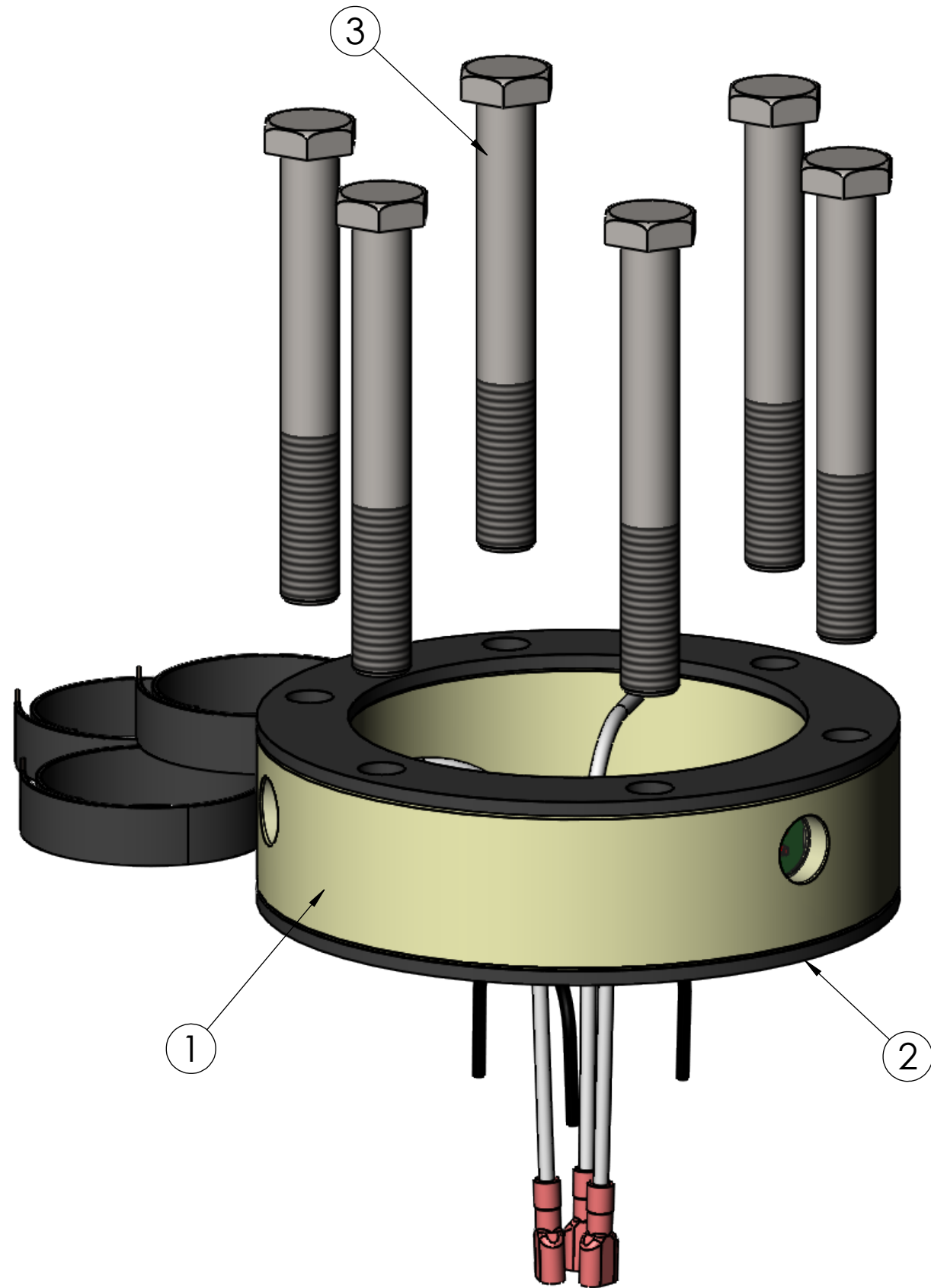
4

3

2

1

REV1 DF NOV/18 ADD TO TABLE



ASSEMBLY PART No.	ENT FTD USED WITH	ITEM #3 PART No	ITEM #3 DESCRIPTION
LLI-003A	SIZE A, B & C (CABLE MOUNT COUPLER)	SBHB-0624	3/8x3 SS BUTTON HEAD
LLI-003B	SIZE D (CABLE MOUNT COUPLER)	SB-0630	3/8x3 3/4 SS CS
LLI-003A-L	SIZE A, B & C (LEG MOUNT COUPLER C80F AND C150F SERIES ONLY)	SBHB-0626	3/8x3 1/4 SS BUTTON HEAD
LLI-003B-L	SIZE D (CABLE MOUNT COUPLER C80F AND C150F SERIES ONLY)	SB-0632	3/8x4 SS CS

ITEM NO.	PART NUMBER	DESCRIPTION	QTY.
1	LLI-003	INDUCTION LIGHT ASSY	1
2	GA-R005	GASKET-ENT FTG	2
3	SEE TABLE	BOLT	6

PATTON AND COOKE

TITLE: INDUCTION LIGHT RETROFIT FOR P&C COUPLERS. CABLE MOUNT OR LEG MOUNT

PROPRIETARY AND CONFIDENTIAL
THE INFORMATION CONTAINED IN THIS DRAWING IS THE SOLE PROPERTY OF PATTON AND COOKE Co. ANY REPRODUCTION IN PART OR AS A WHOLE WITHOUT THE WRITTEN PERMISSION OF PATTON AND COOKE Co. IS PROHIBITED.

NAME	DATE
DRAWN	
CHECKED	

SIZE	DWG. NO.	REV
B	LLI-003__	1
SCALE: 1:1.25	WEIGHT:	SHEET 1 OF 1

DO NOT SCALE DRAWING

4

3

2

1